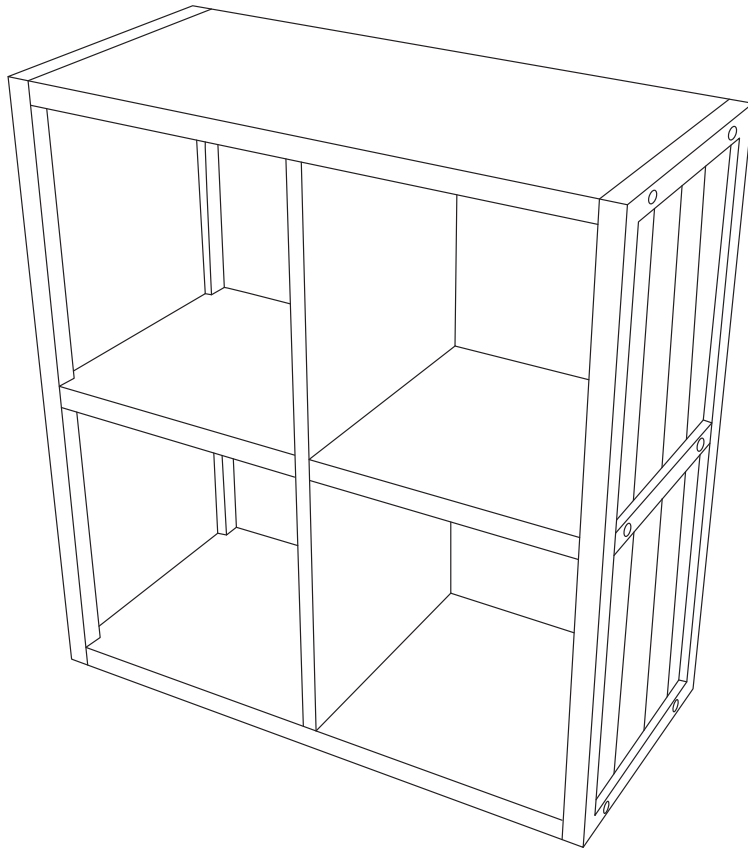


JOHN LOUIS HOME

Solid Wood Home Storage Solutions

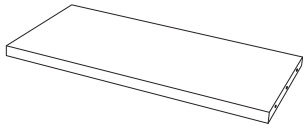
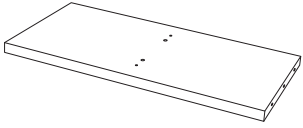
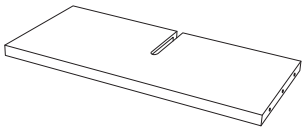
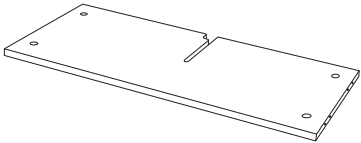
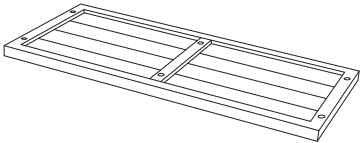


Installation Instructions

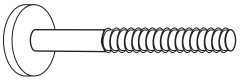



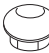
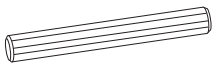
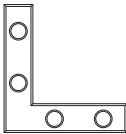

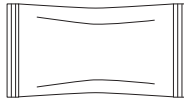
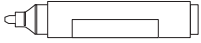
4 Cube Storage System

JLH-4C*


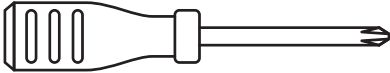
Parts List

		
A 1 Top	B 1 Base	C 1 Horizontal Shelf
		
D 1 Vertical Spacer	E 2 Side	

Hardware List

				
F 12 Barrel Bolt	G 12 Barrel Nut	H 4 #CAM Bolt	I 4 CAM Nut	J 12 Bolt Cap
				
K 10 Dowel Pin	L 2 Bracket	M 8 3/4" Screw	N 1 Anti-Tip Hardware	O 1 Touch Up Pen

Required Tools

	
P 1 Allen Wrench	Screw Driver

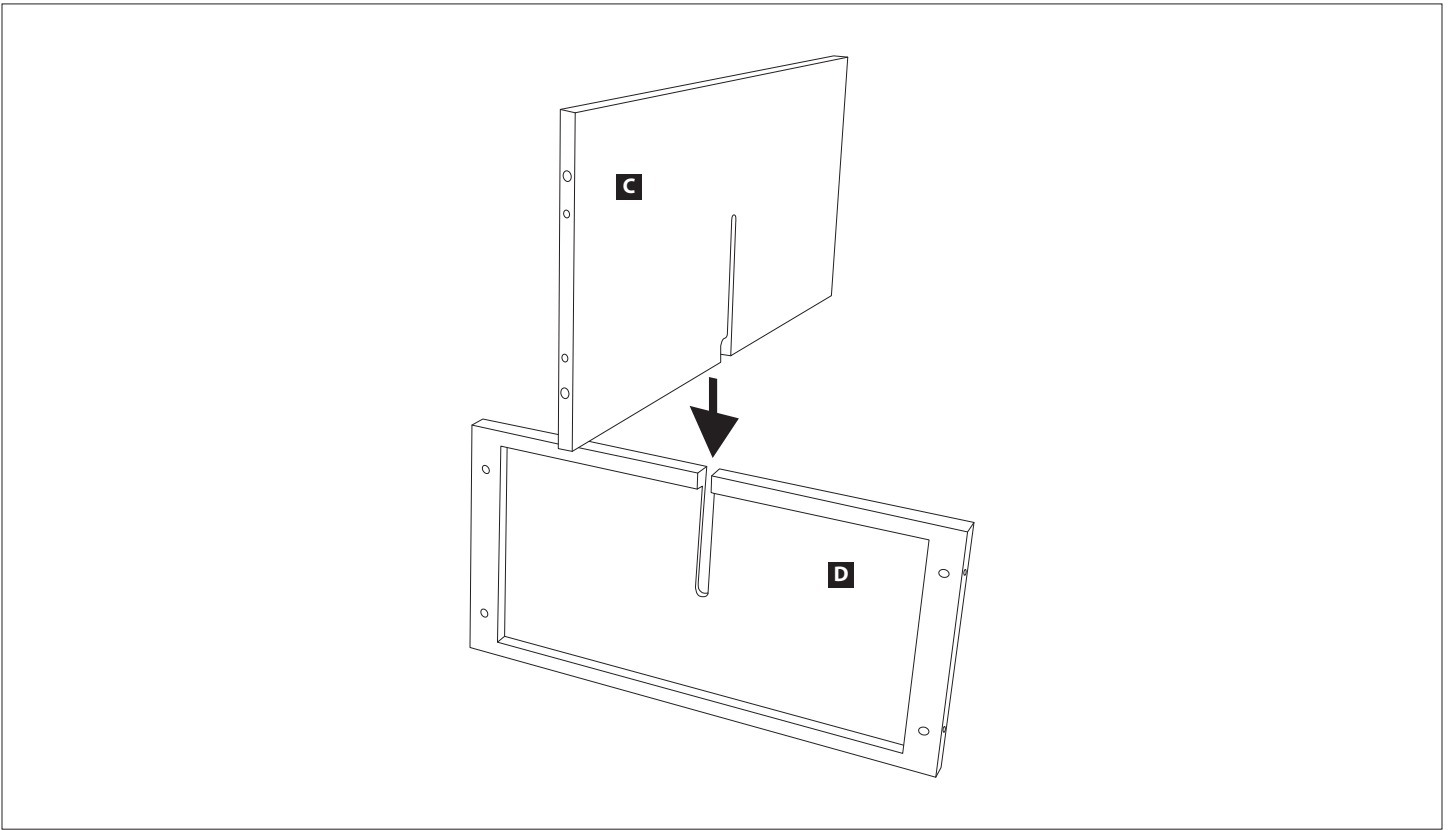
Thank you for your purchase. For any product or installation questions, damages, replacement or missing parts please contact us at:

1.800.480.6985

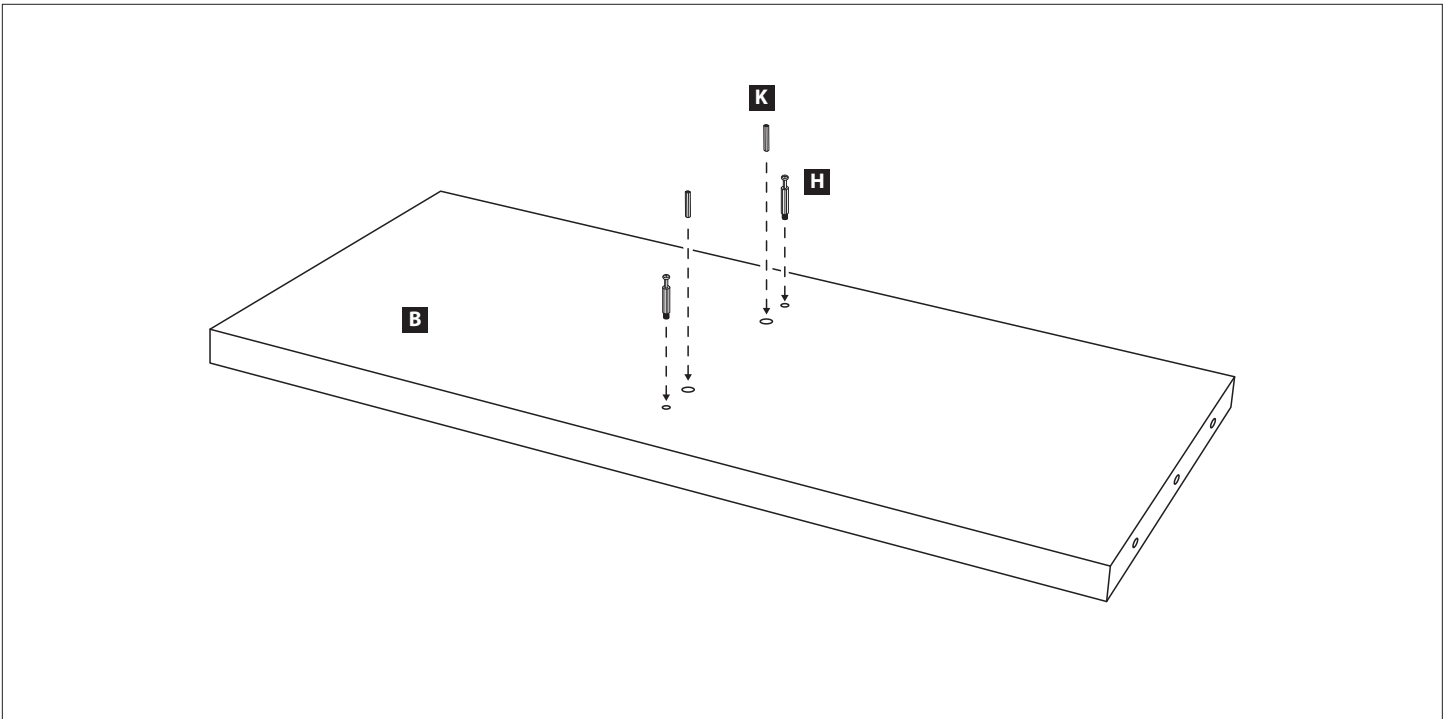
service@johnlouishome.com

www.johnlouishome.com

Step 1

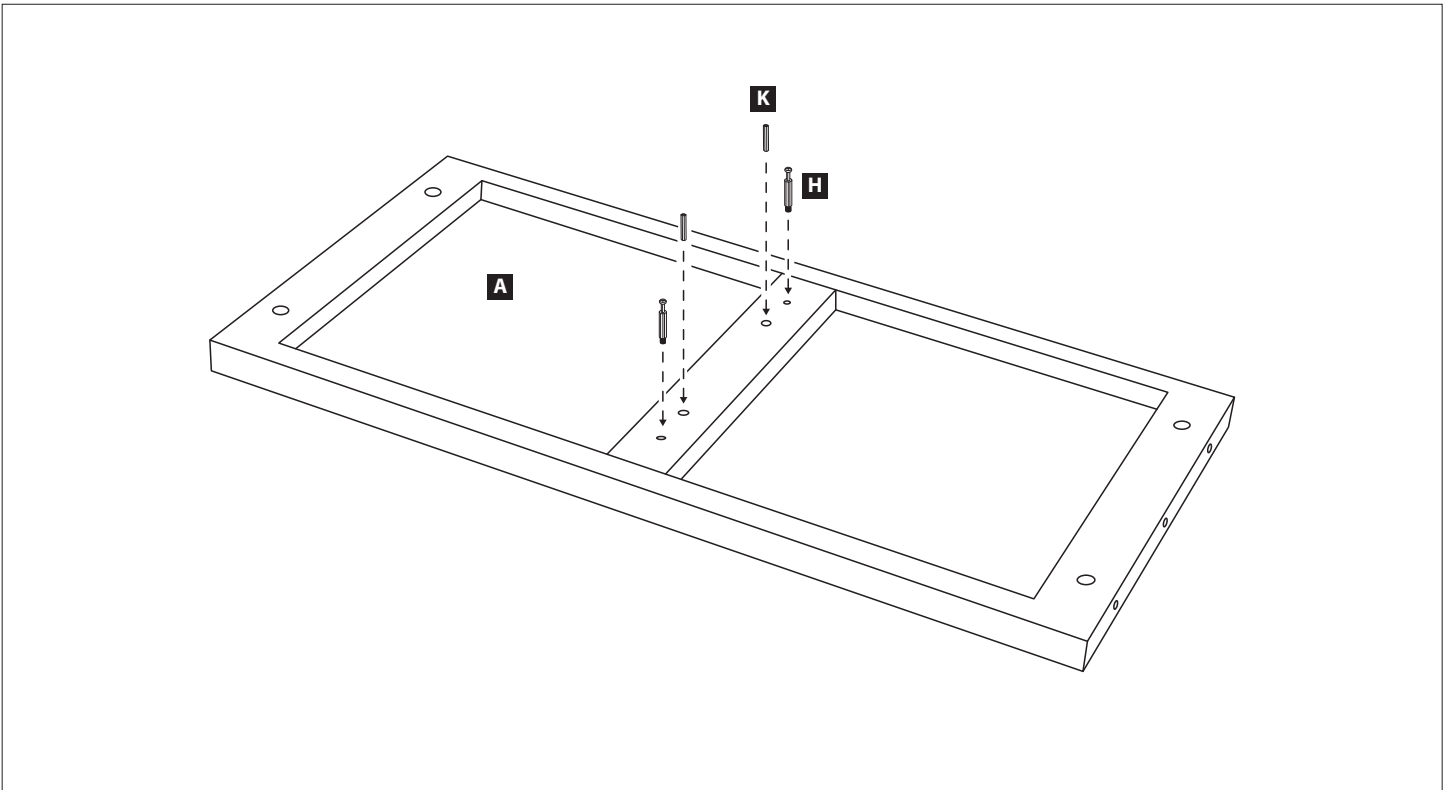


Step 2

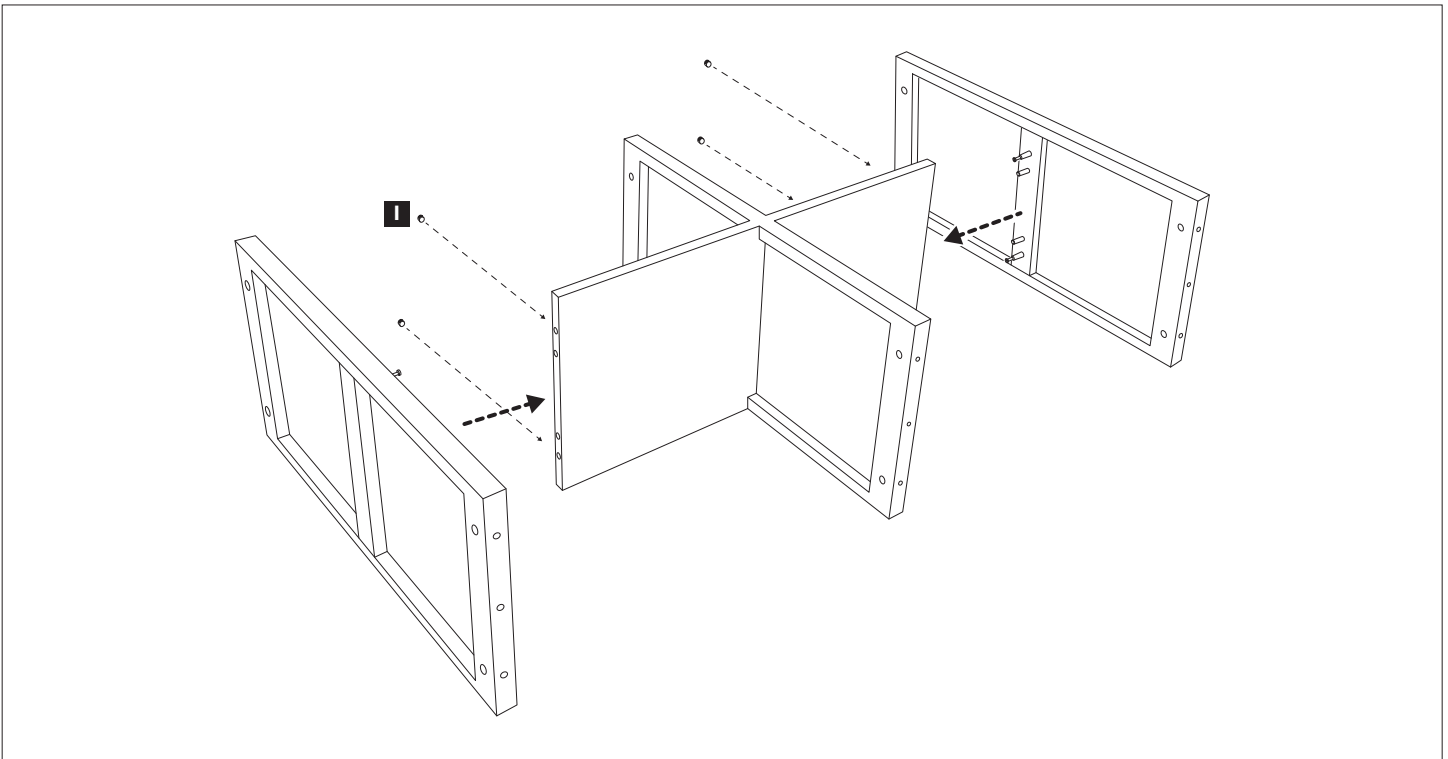


2		2	
---	---	---	---

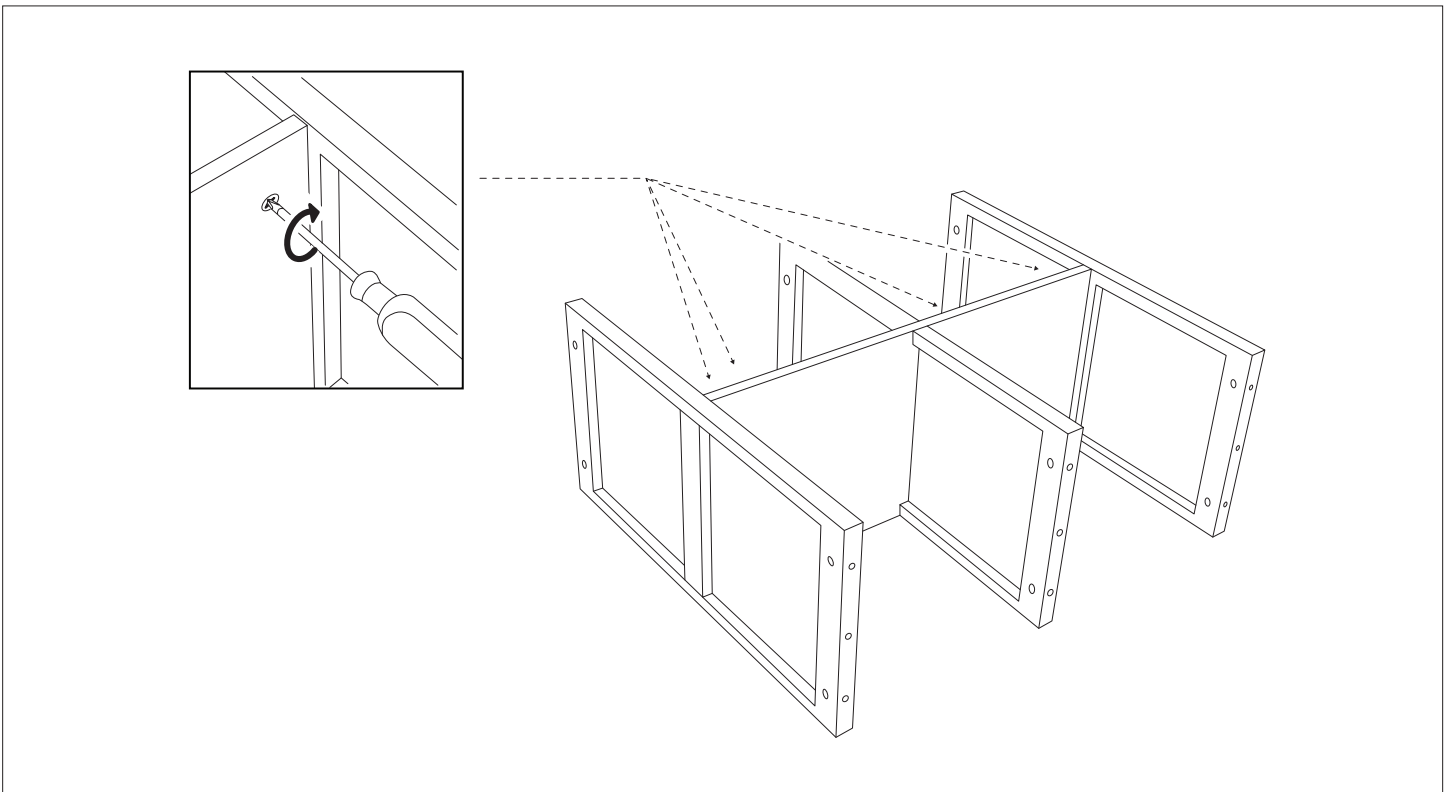
Step 3



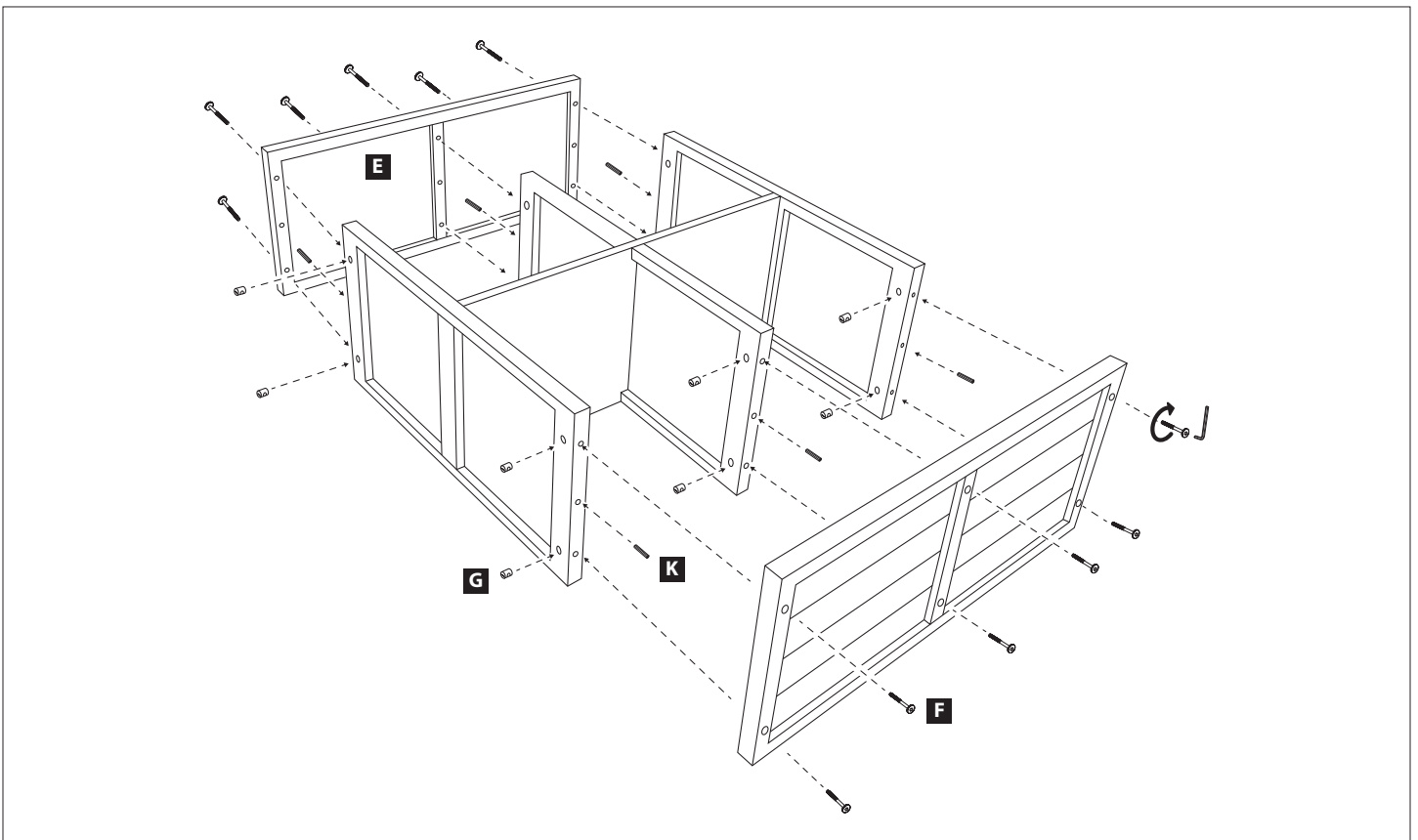
Step 4


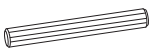


Step 5

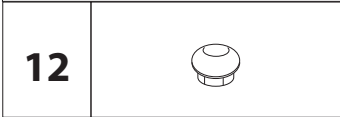
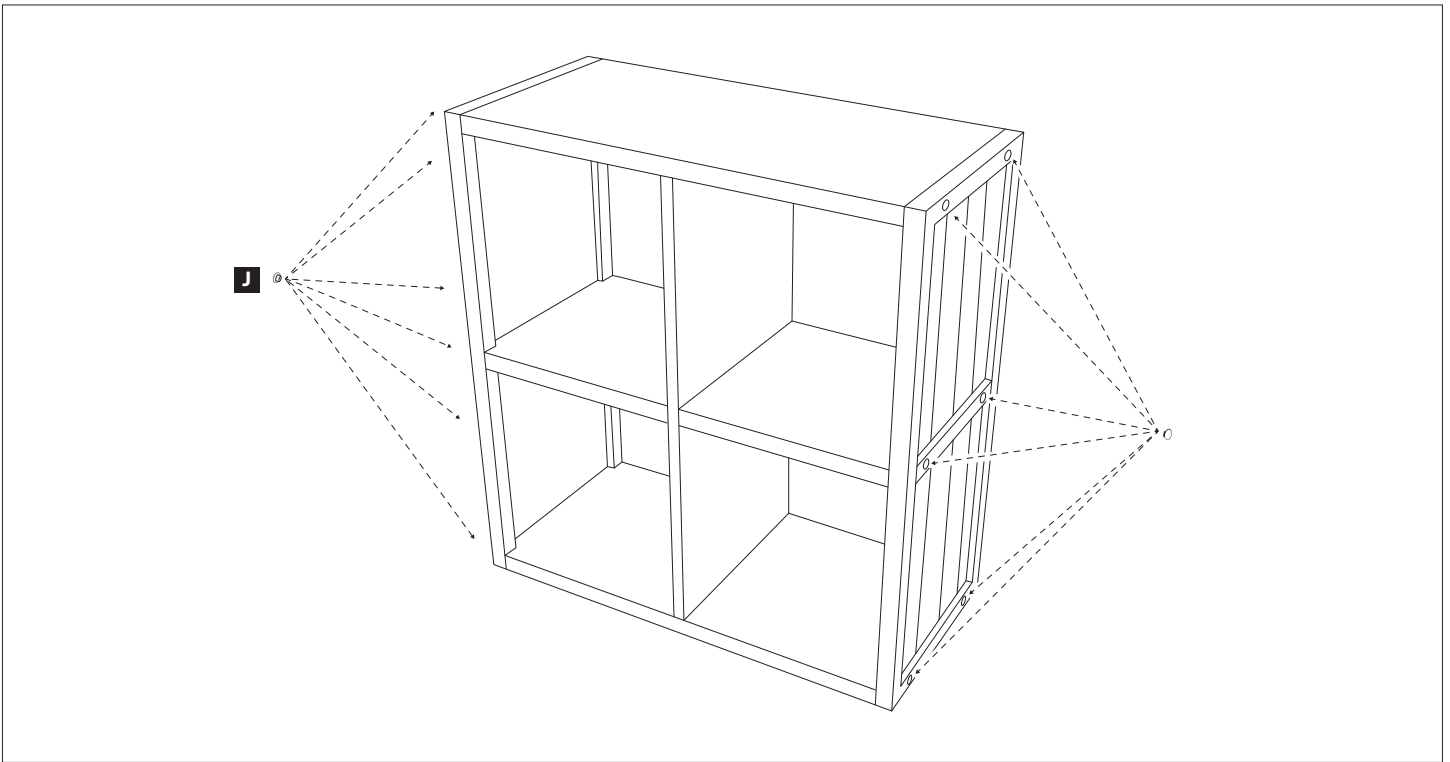


Step 6

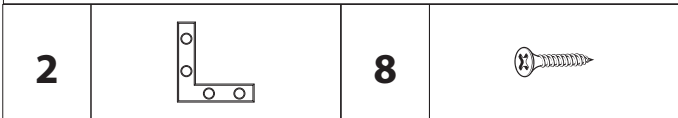
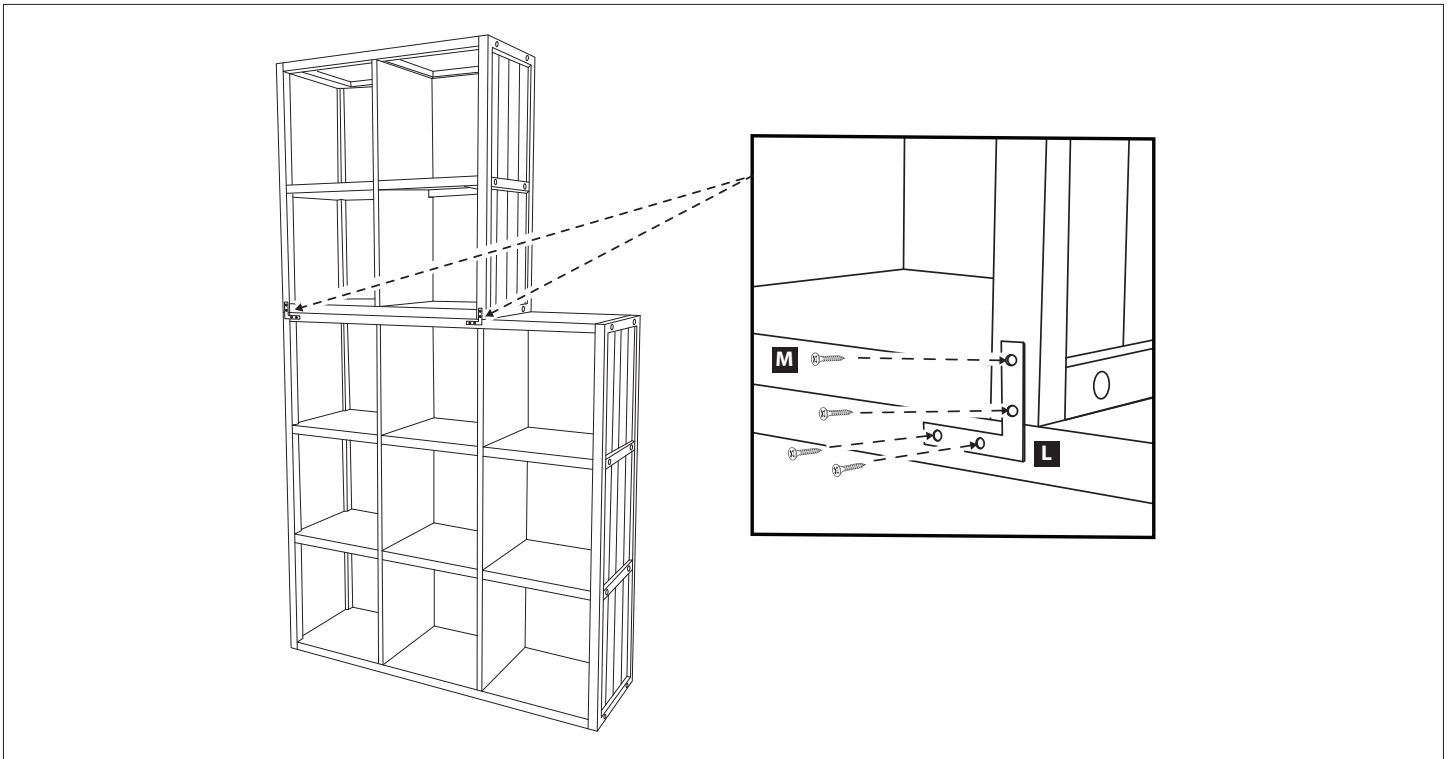


12		12		6	
----	---	----	---	---	--

Step 7



Step 8 (Optional Stacking Fasten)



Step 9 (Optional Anti-Tip)

