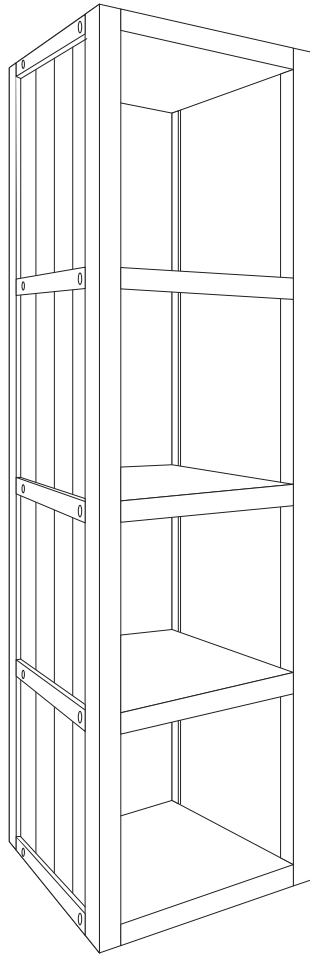


# JOHN LOUIS HOME

Solid Wood Home Storage Solutions

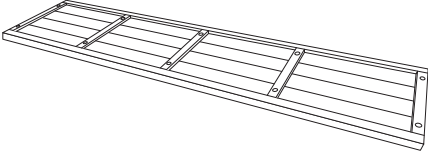
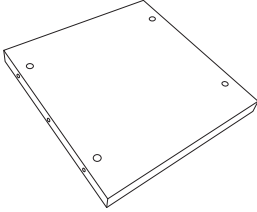


Installation Instructions

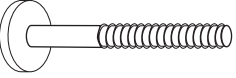


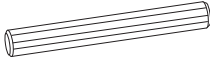
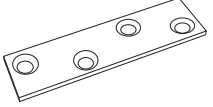


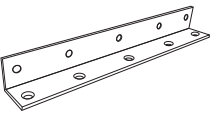
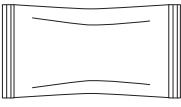
## **4 Cube Tall Storage System**

JLH-4CT\*


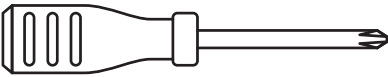
## Parts List

	
<b>A 2</b> Side	<b>B 5</b> Shelf

## Hardware List

				
<b>C 20</b> Barrel Bolt	<b>D 20</b> Barrel Nut	<b>E 20</b> Bolt Cap	<b>F 10</b> Dowel Pin	<b>G 2</b> Bracket
				
<b>H 18</b> 3/4" Screw	<b>I 10</b> 1 1/4" Screw	<b>J 2</b> L Bracket	<b>K 1</b> Anti-Tip Hardware	

## Required Tools

	
<b>J 1</b> Allen Wrench	Screw Driver

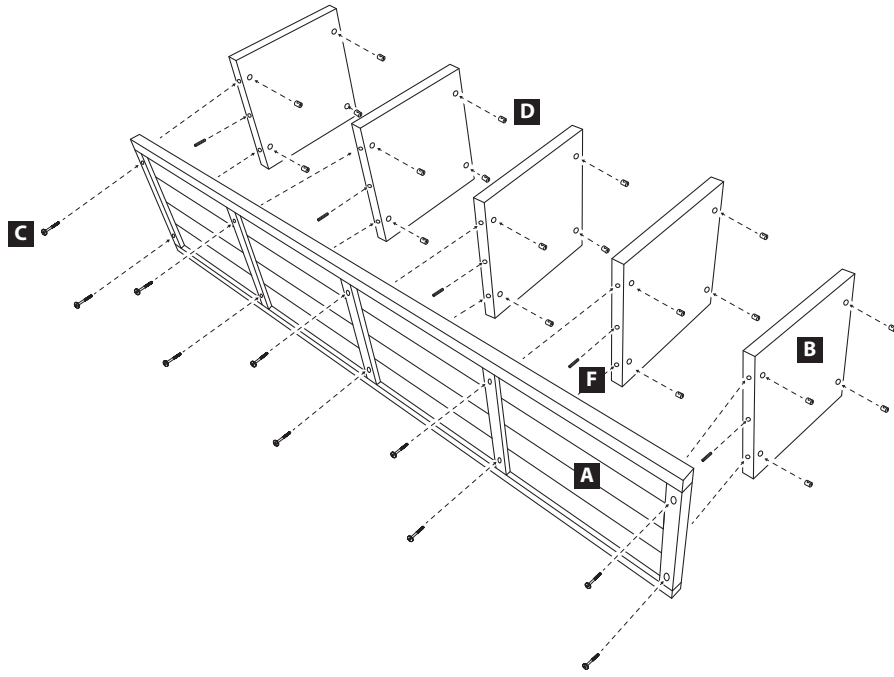
Thank you for your purchase. For any product or installation questions, damages, replacement or missing parts please contact us at:

**1.800.480.6985**

service@johnlouishome.com

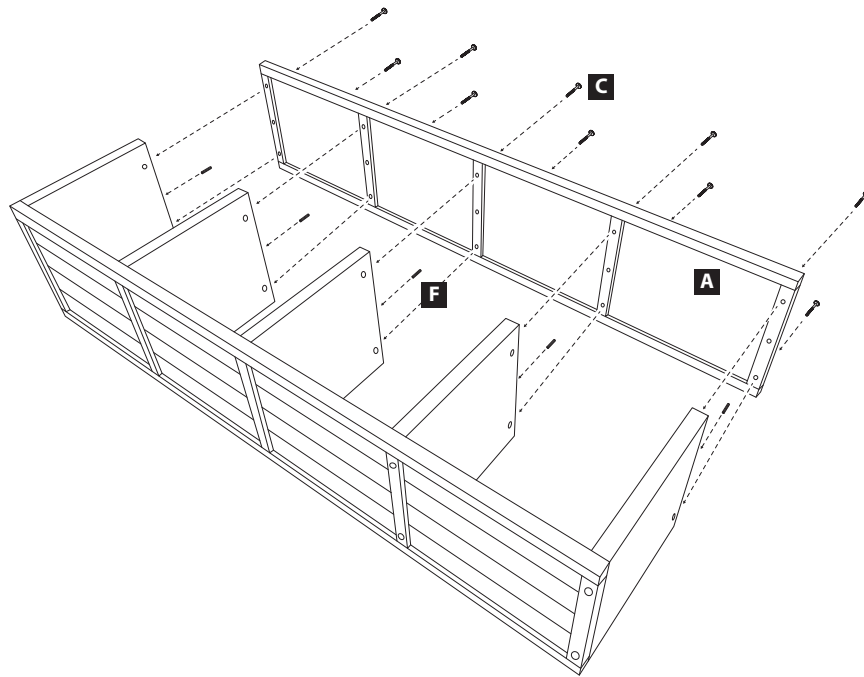
www.johnlouishome.com

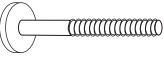

## Step 1



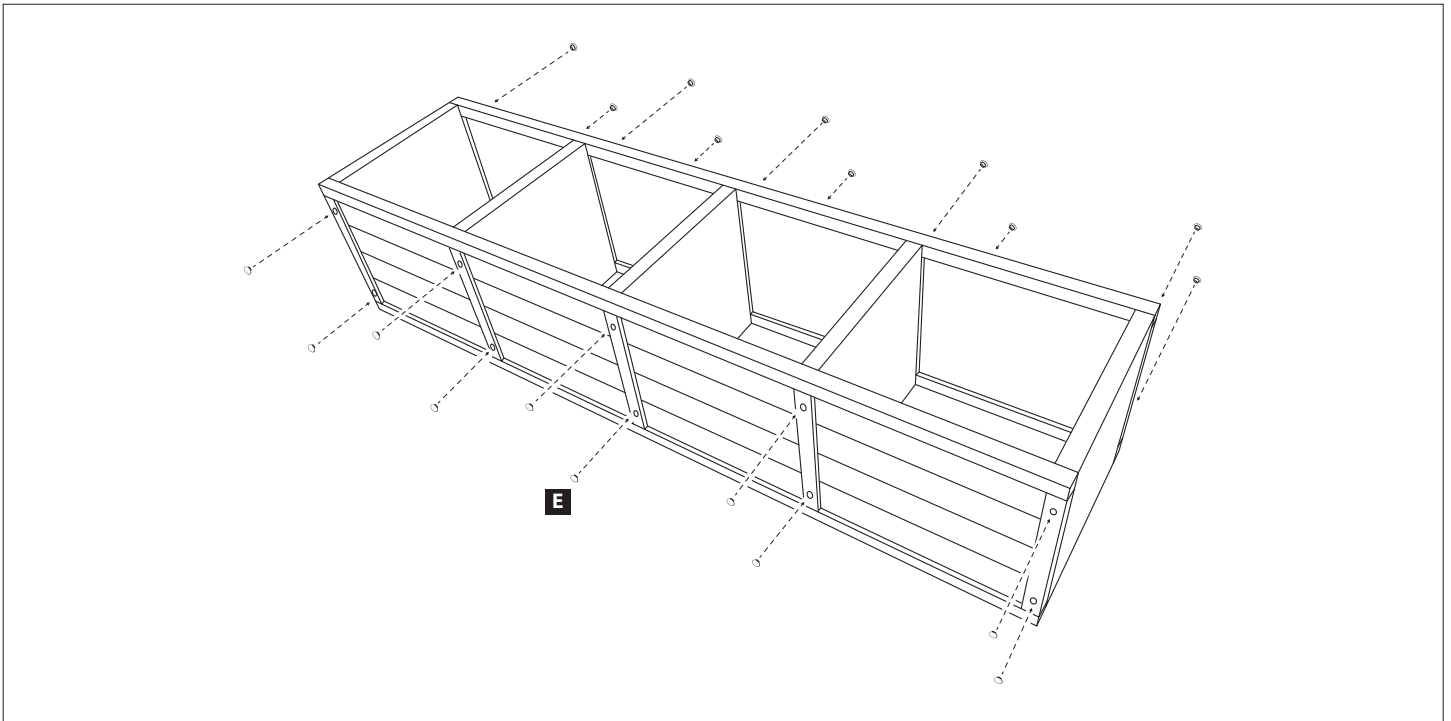
10		20		5	
----	---	----	---	---	--


## Step 2



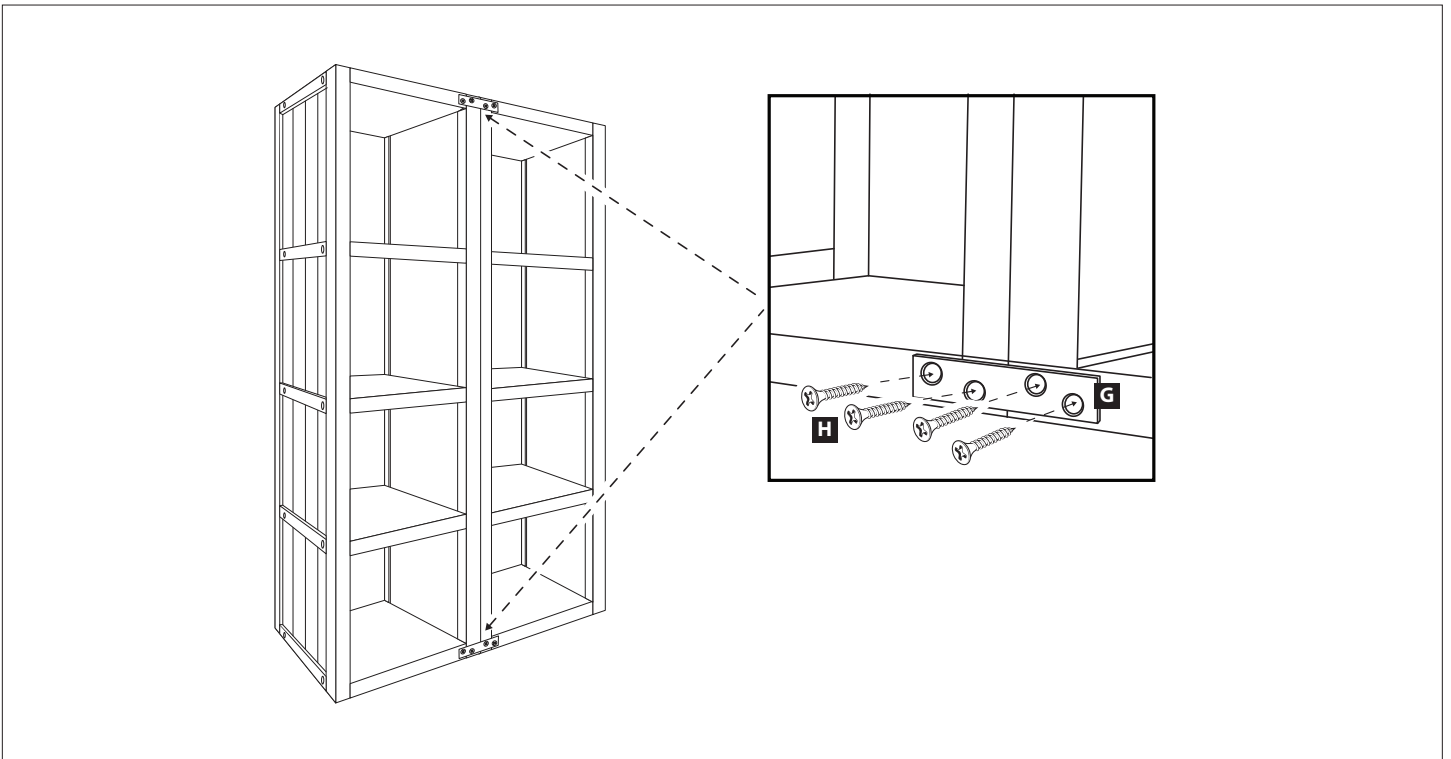
10		5	
----	---	---	---


### Step 3



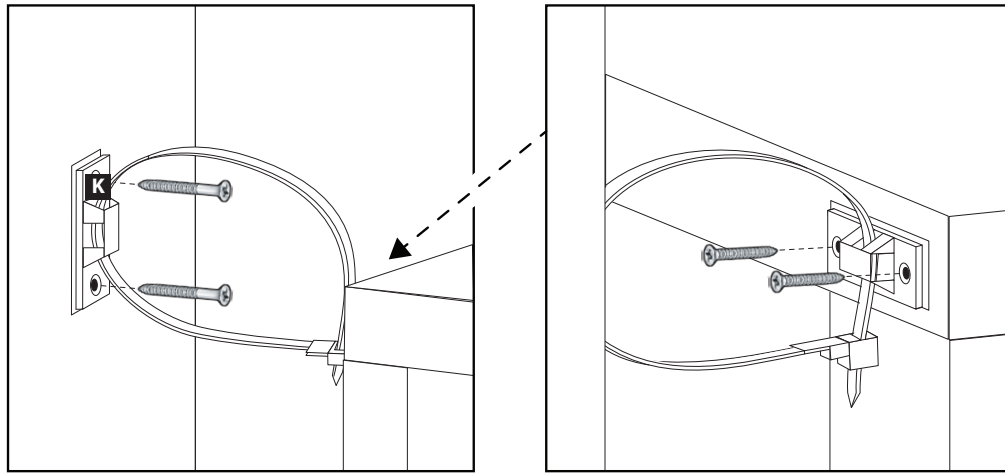
<b>20</b>	
-----------	---

### Step 4 (Optional Stacking Fasten)

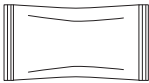


<b>2</b>		<b>8</b>	
----------	---	----------	---

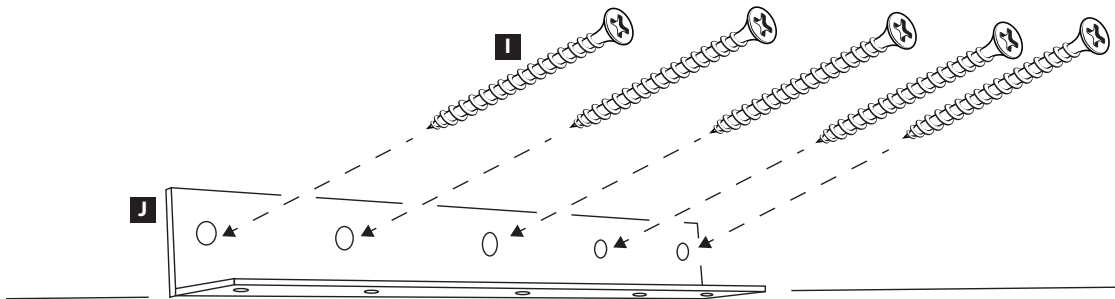
## Step 5 (Optional Anti-Tip)



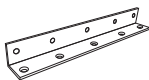
1



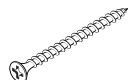
## Step 6 (Horizontal Wall Hang)



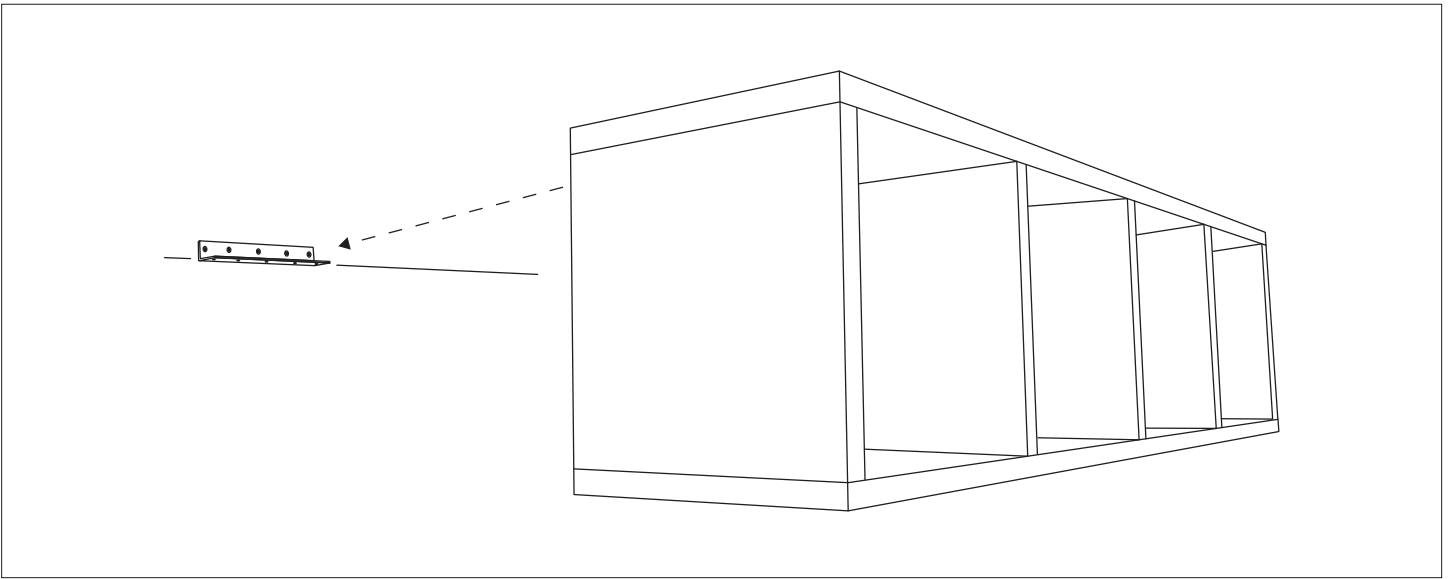
2



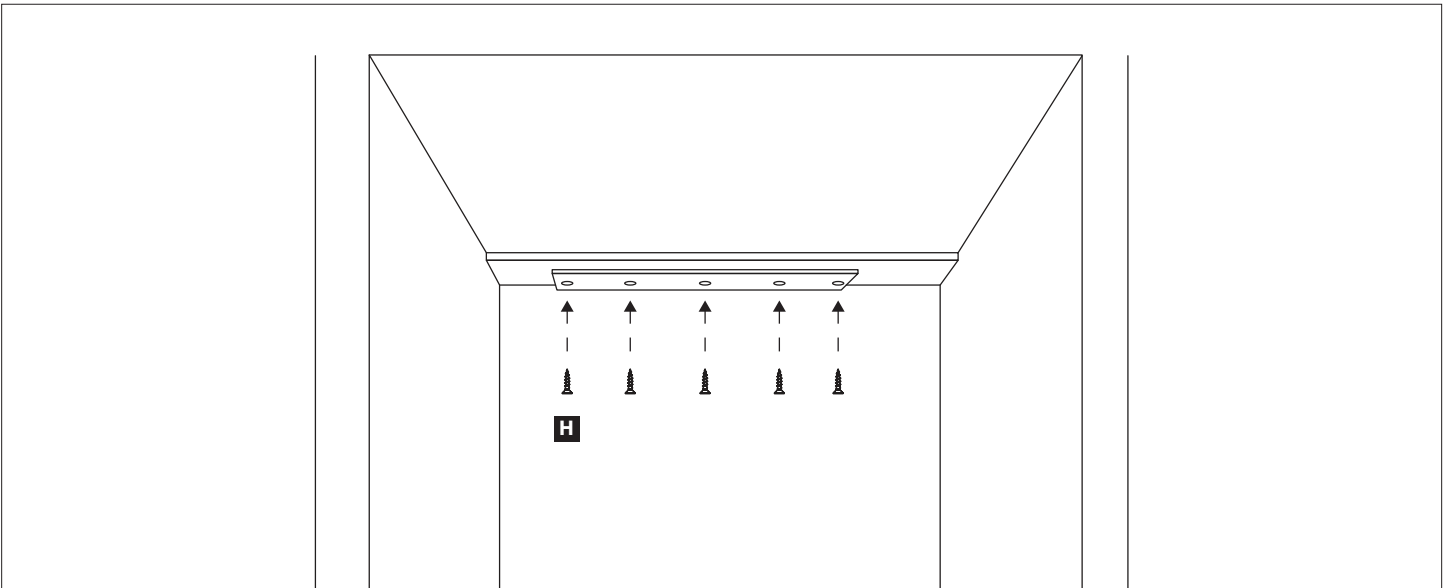
10



## Step 7



## Step 8



10

