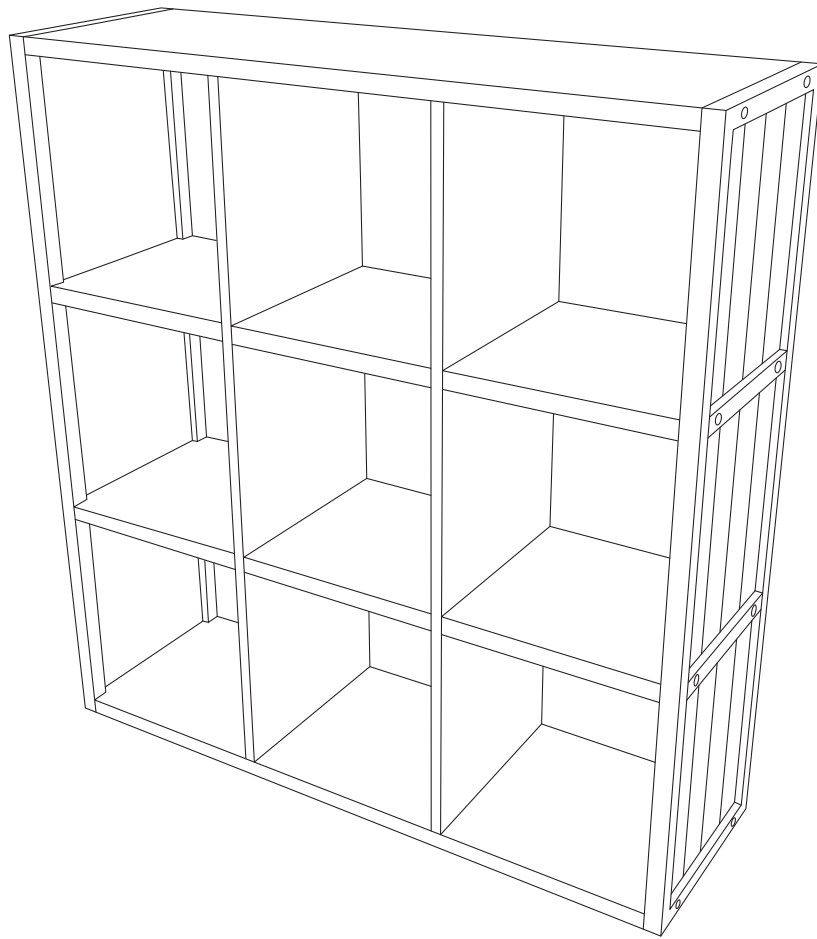


JOHN LOUIS HOME

Solid Wood Home Storage Solutions

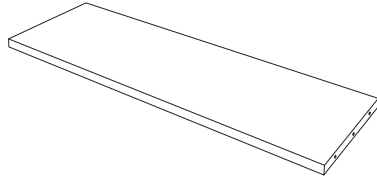
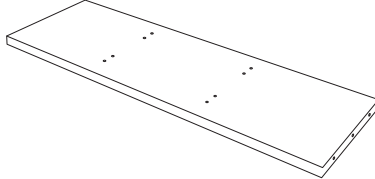
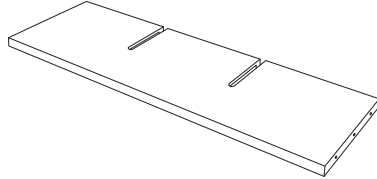
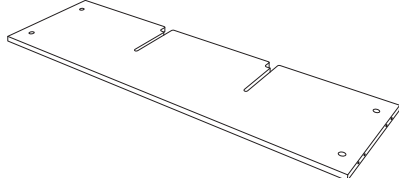
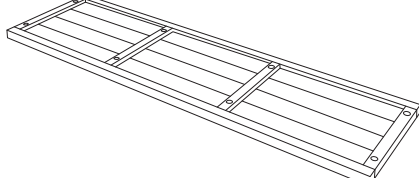


Installation Instructions

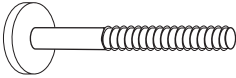




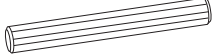
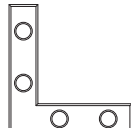

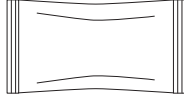
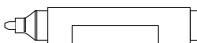
9 Cube Storage System

JLH-9C*


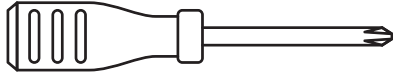
Parts List

		
A 1 Top	B 1 Base	C 2 Horizontal Shelf
		
D 2 Vertical Spacer	E 2 Side	

Hardware List

				
F 16 Barrel Bolt	G 16 Barrel Nut	H 8 #CAM Bolt	I 8 CAM Nut	J 16 Bolt Cap
				
K 16 Dowel Pin	L 2 Bracket	M 8 3/4" Screw	N 1 Anti-Tip Hardware	O 1 Touch Up Pen

Required Tools

	
P 1 Allen Wrench	Screw Driver

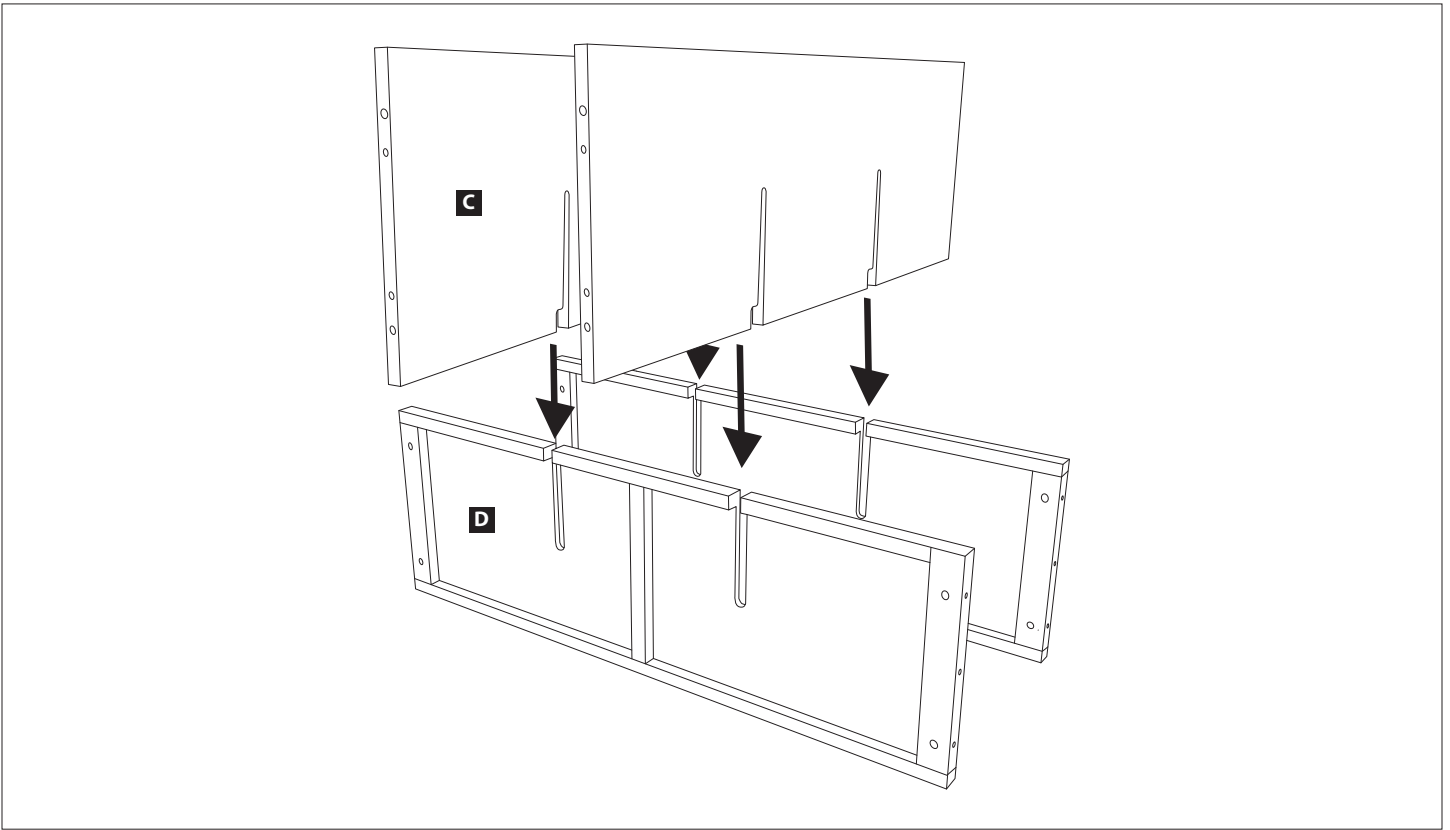
Thank you for your purchase. For any product or installation questions, damages, replacement or missing parts please contact us at:

1.800.480.6985

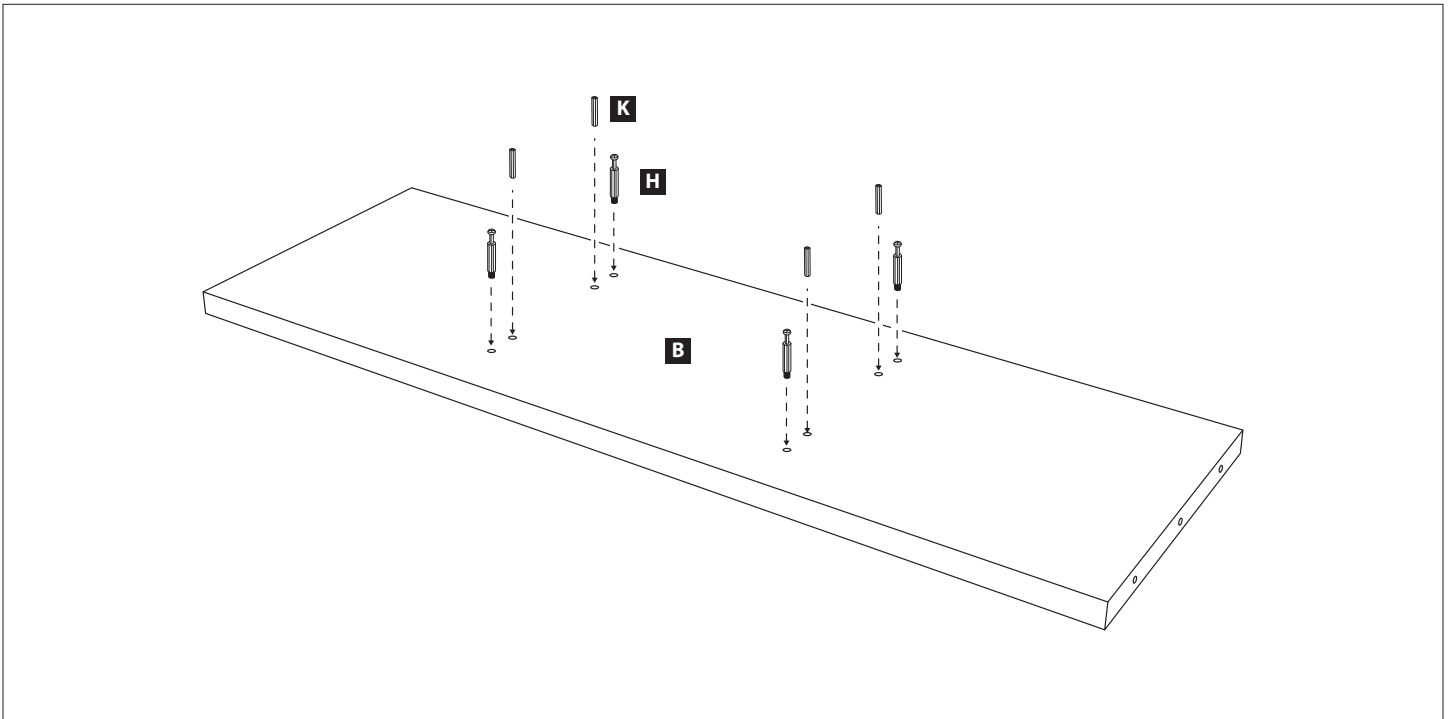
service@johnlouishome.com


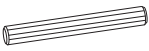
www.johnlouishome.com

Step 1

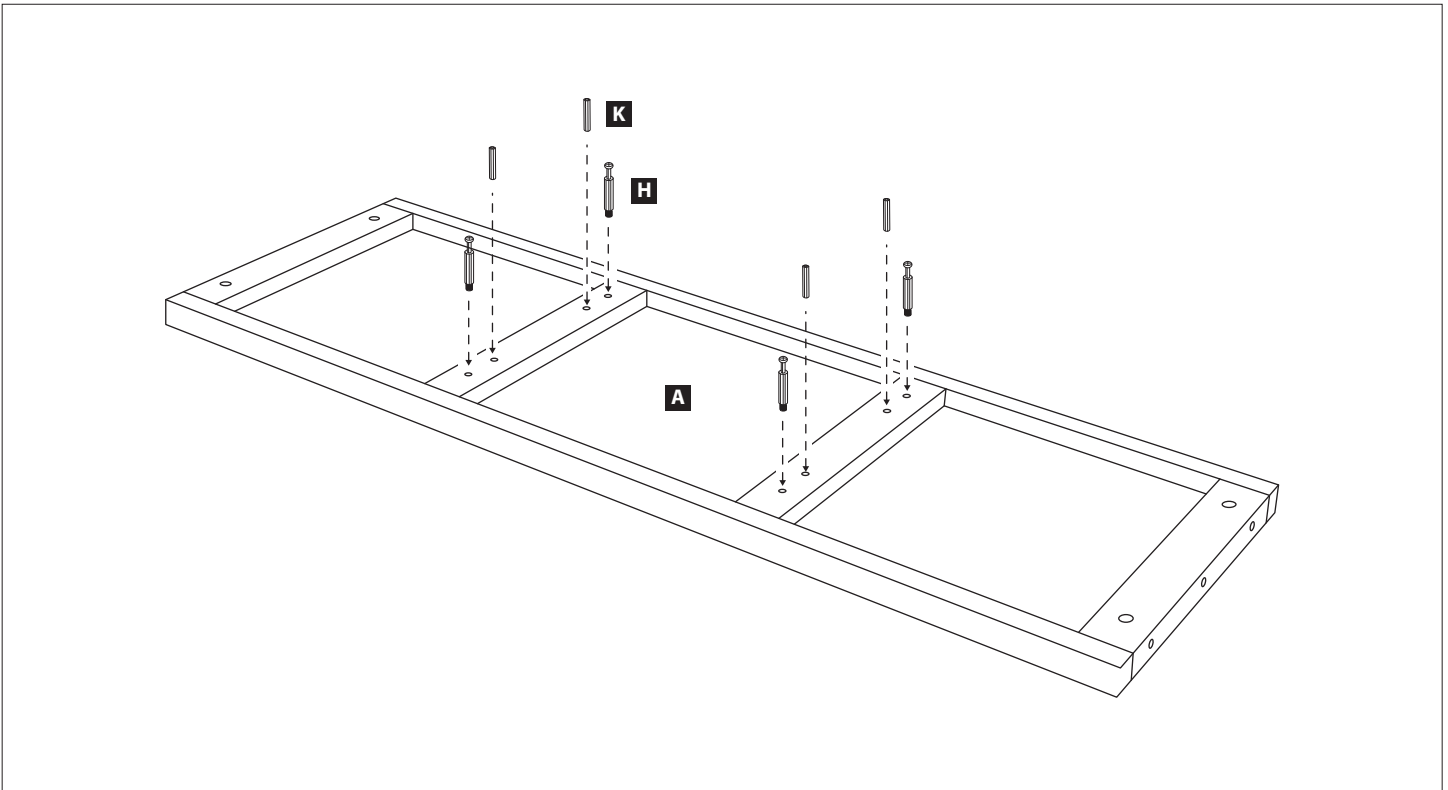



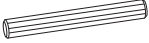
Step 2



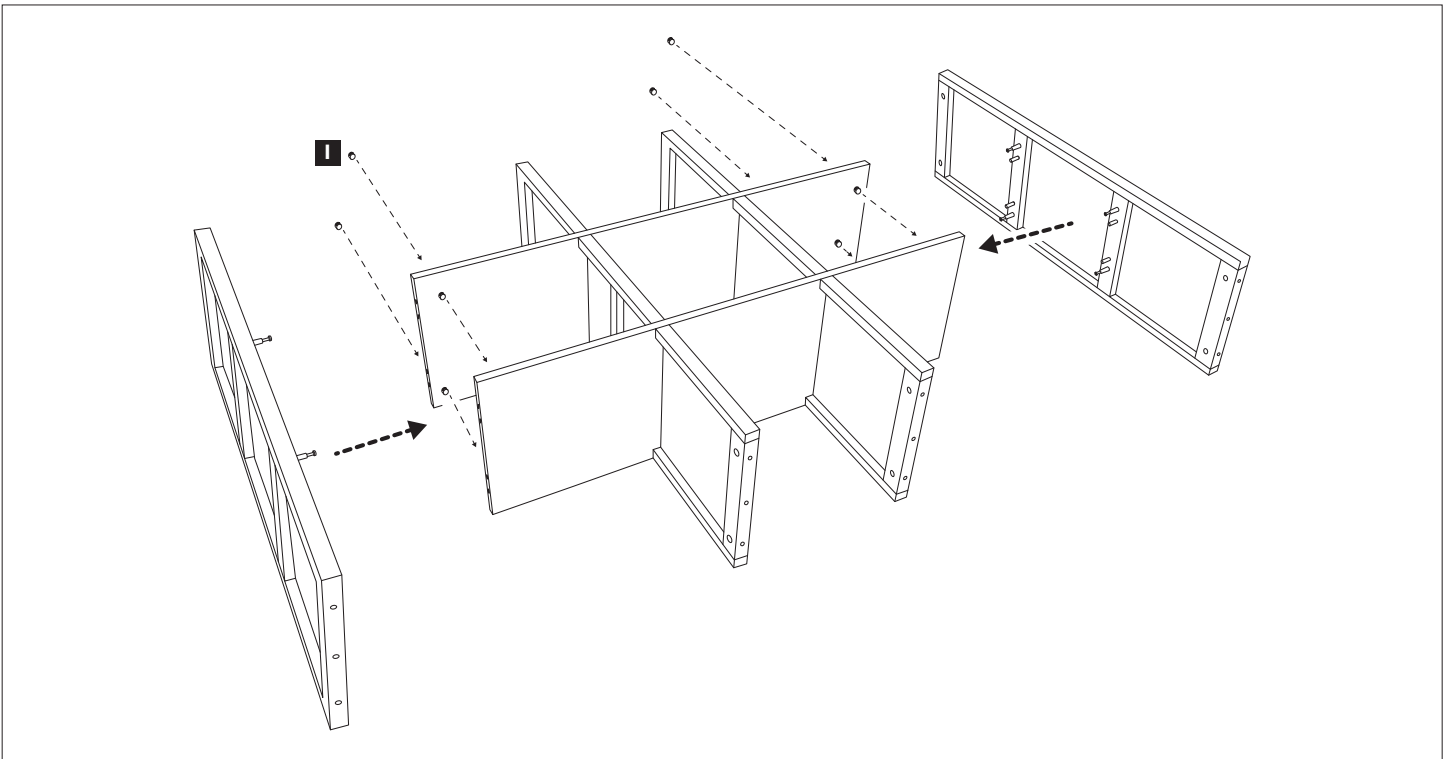
4		4	
----------	---	----------	---

Step 3



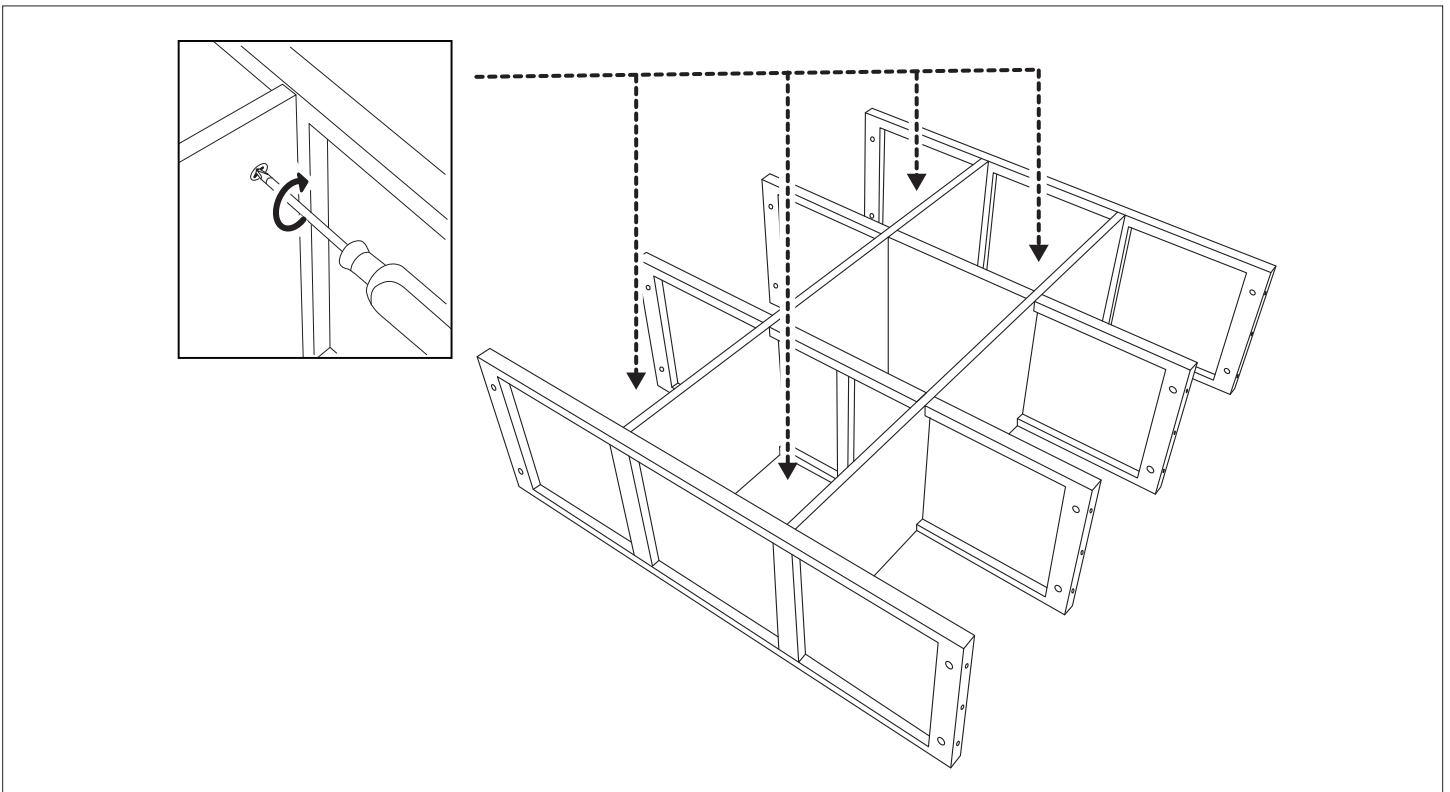
4		4	
---	--	---	--

Step 4

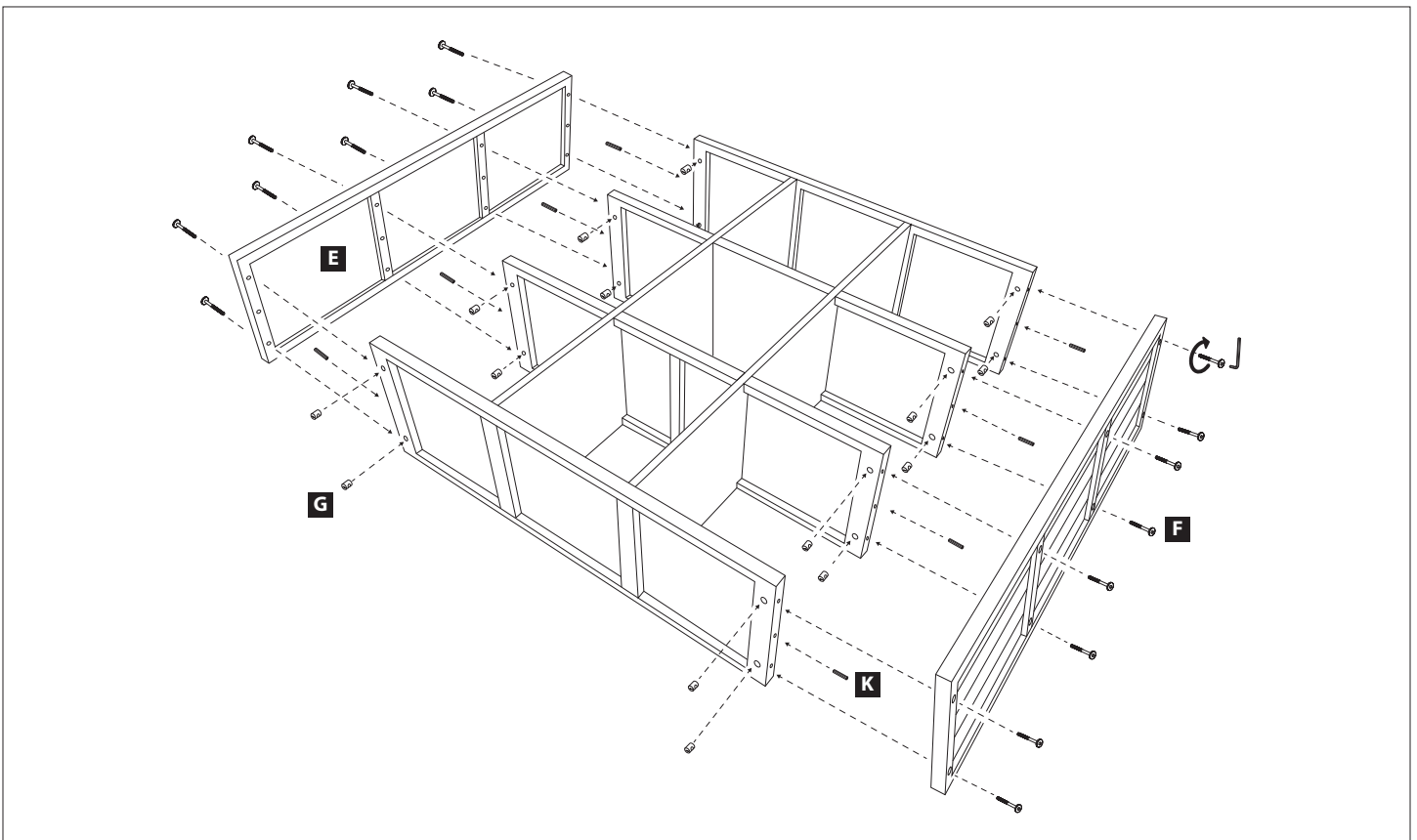



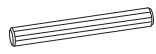
8	
---	---

Step 5

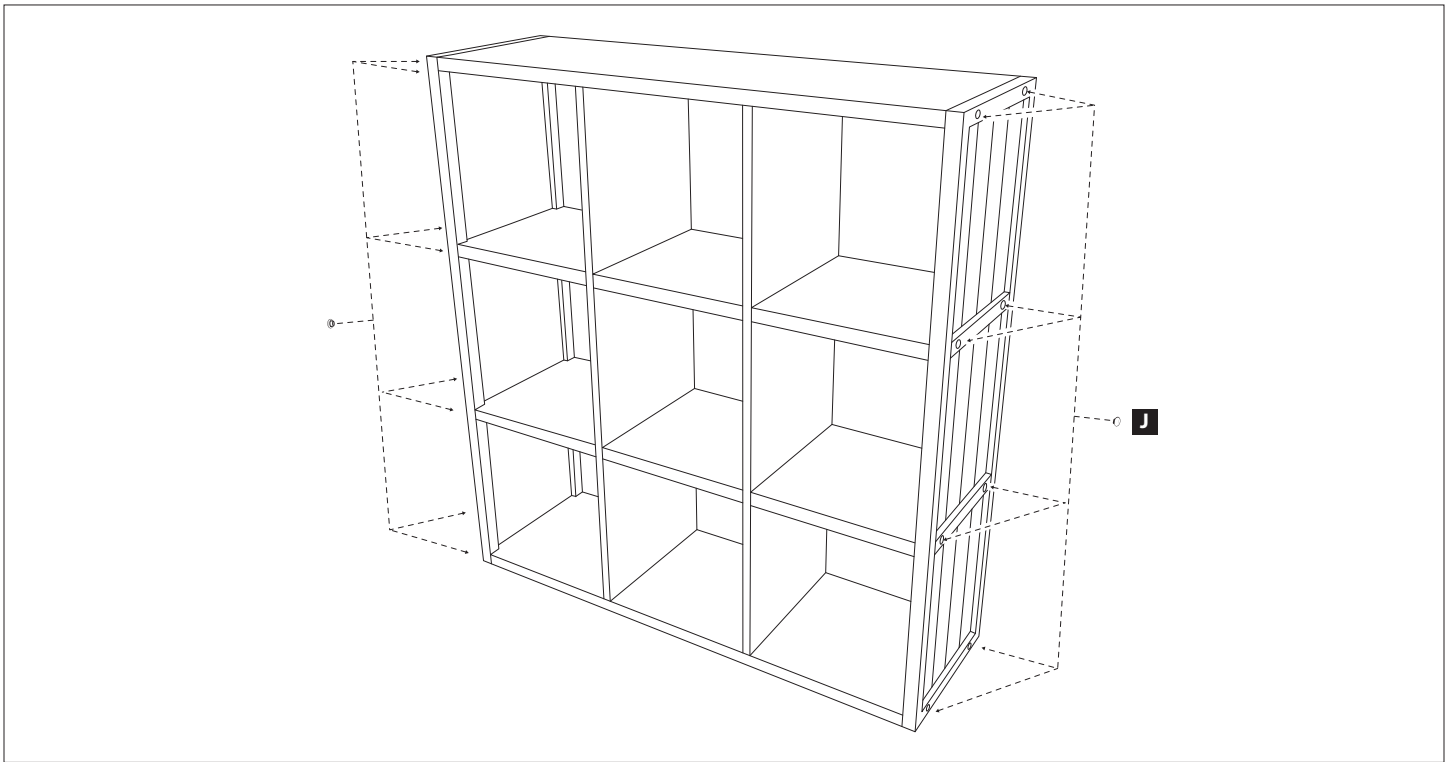


Step 6



16		16		8	
----	---	----	---	---	--

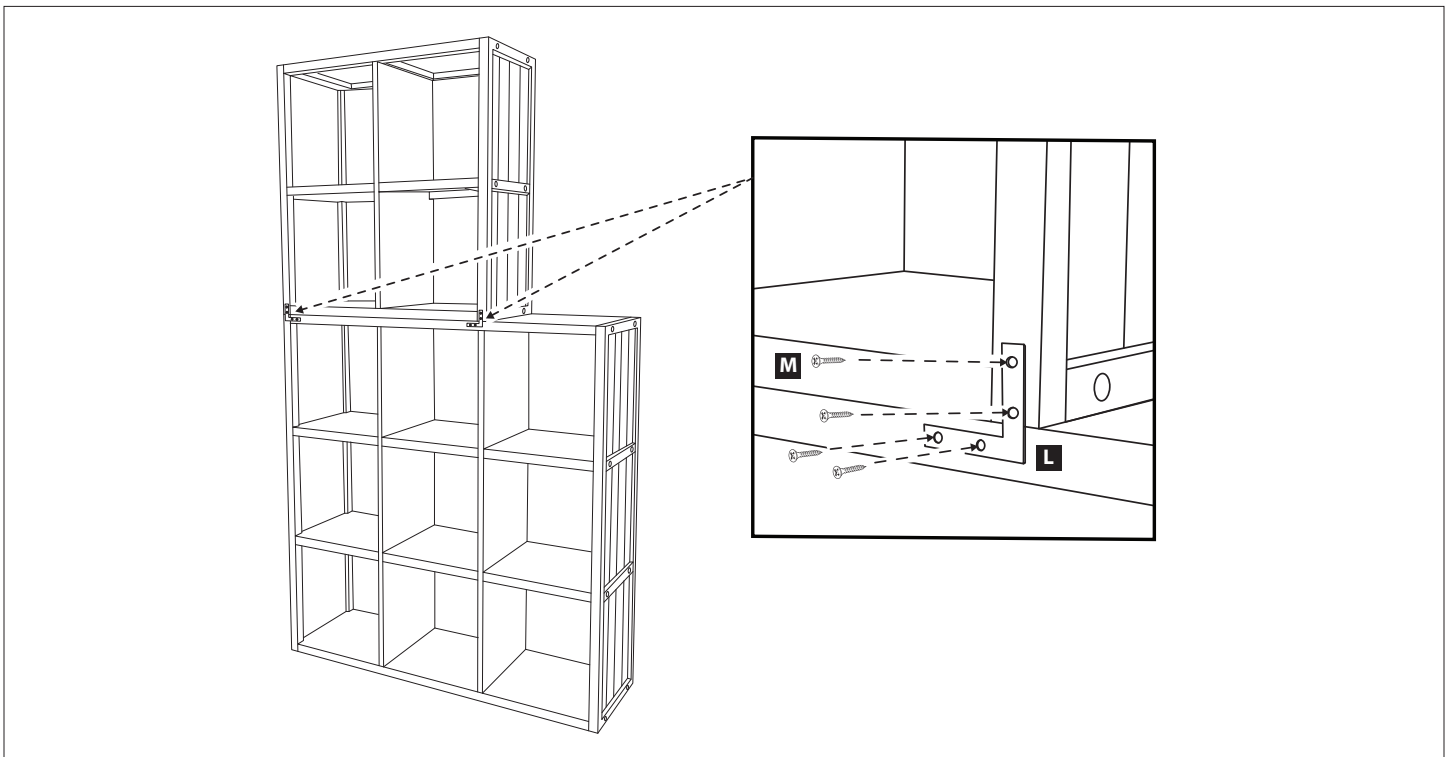
Step 7



16



Step 8 (Optional Stacking Fasten)



2



8



Step 9 (Optional Anti-Tip)

