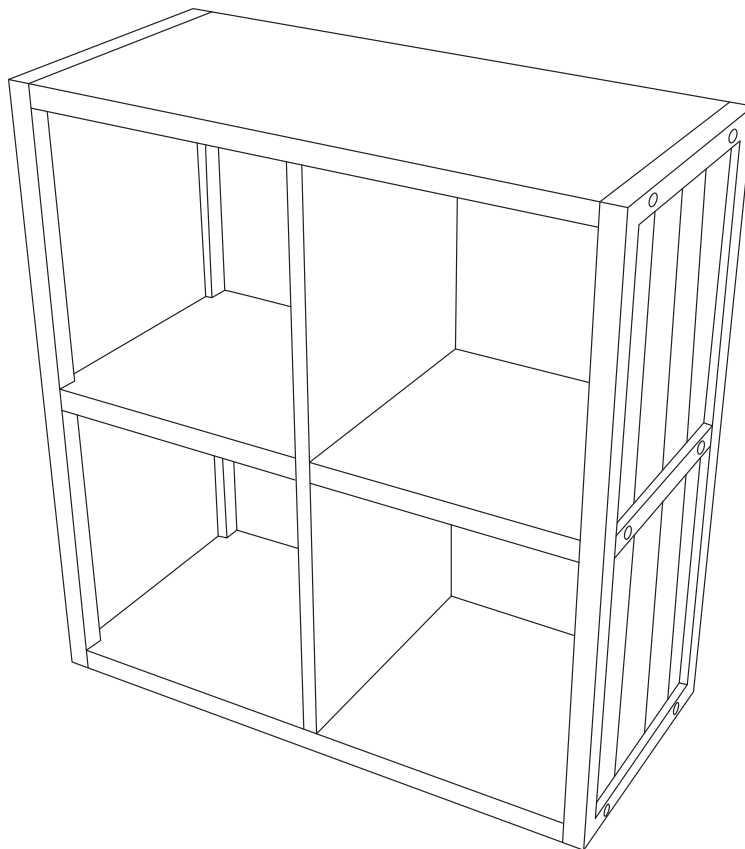
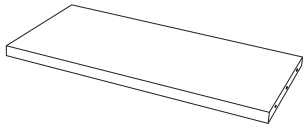
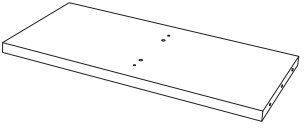
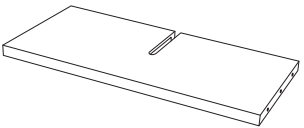
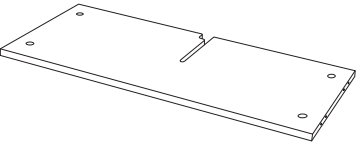
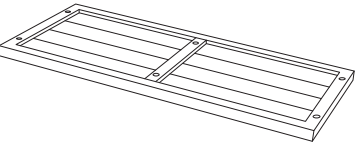




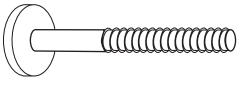



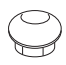

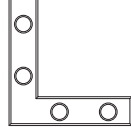


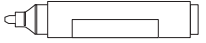
## 4 Cube Storage System JLH-4C-\*




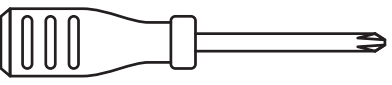
## Parts List

		
<b>A 1</b> Top	<b>B 1</b> Base	<b>C 1</b> Horizontal Shelf
		
<b>D 1</b> Vertical Spacer	<b>E 2</b> Side	

## Hardware List

				
<b>F 12</b> Barrel Bolt	<b>G 12</b> Barrel Nut	<b>H 4</b> #CAM Bolt	<b>I 4</b> CAM Nut	<b>J 12</b> Bolt Cap
				
<b>K 10</b> Dowel Pin	<b>L 2</b> Bracket	<b>M 8</b> 3/4" Screw	<b>N 1</b> Anti-Tip Hardware	<b>O 1</b> Touch Up Pen

## Required Tools

	
<b>P 1</b> Allen Wrench	Screw Driver

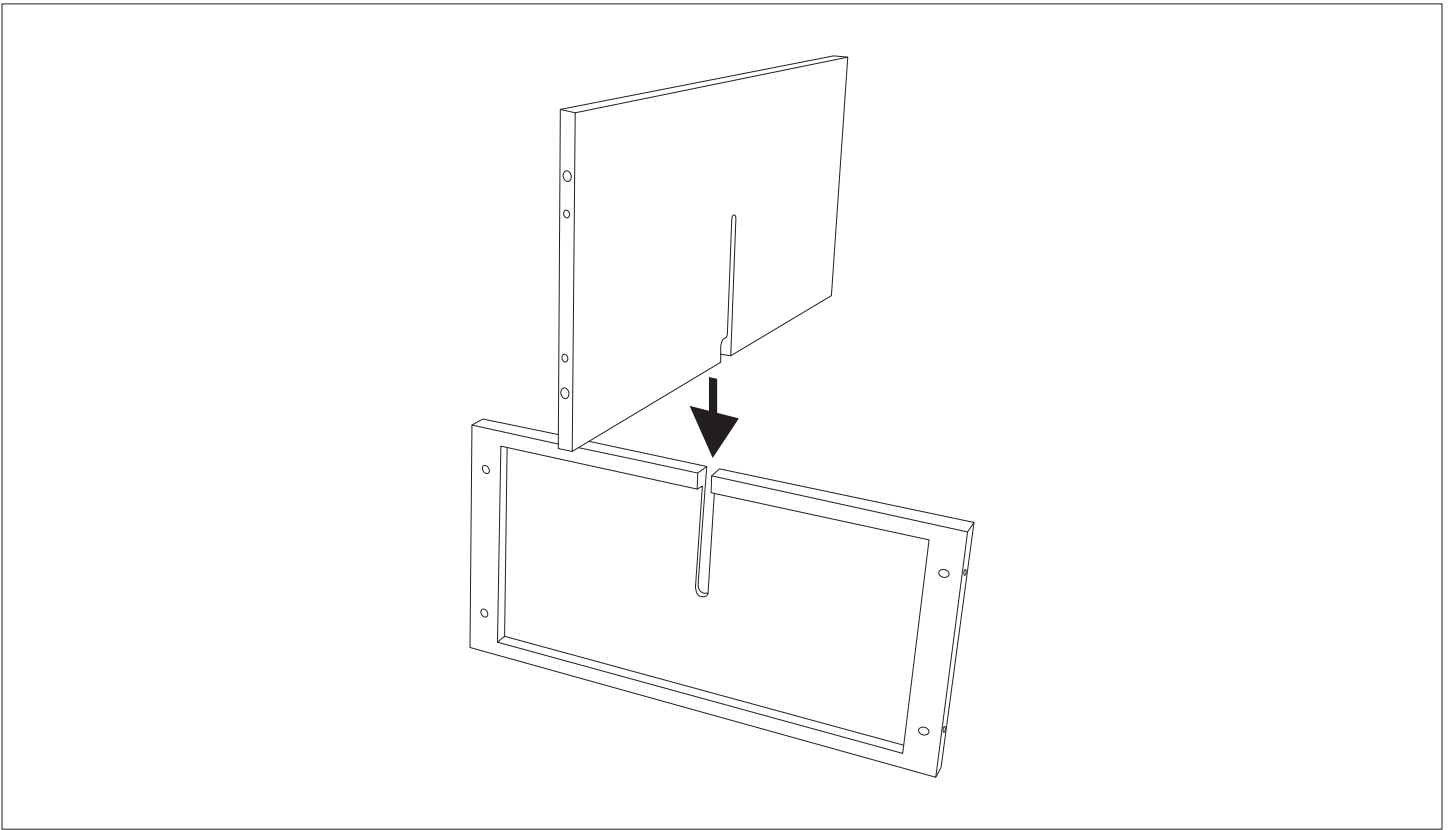
Thank you for your purchase. For any product or installation questions, damages, replacement or missing parts please contact us at:

**1.800.480.6975**

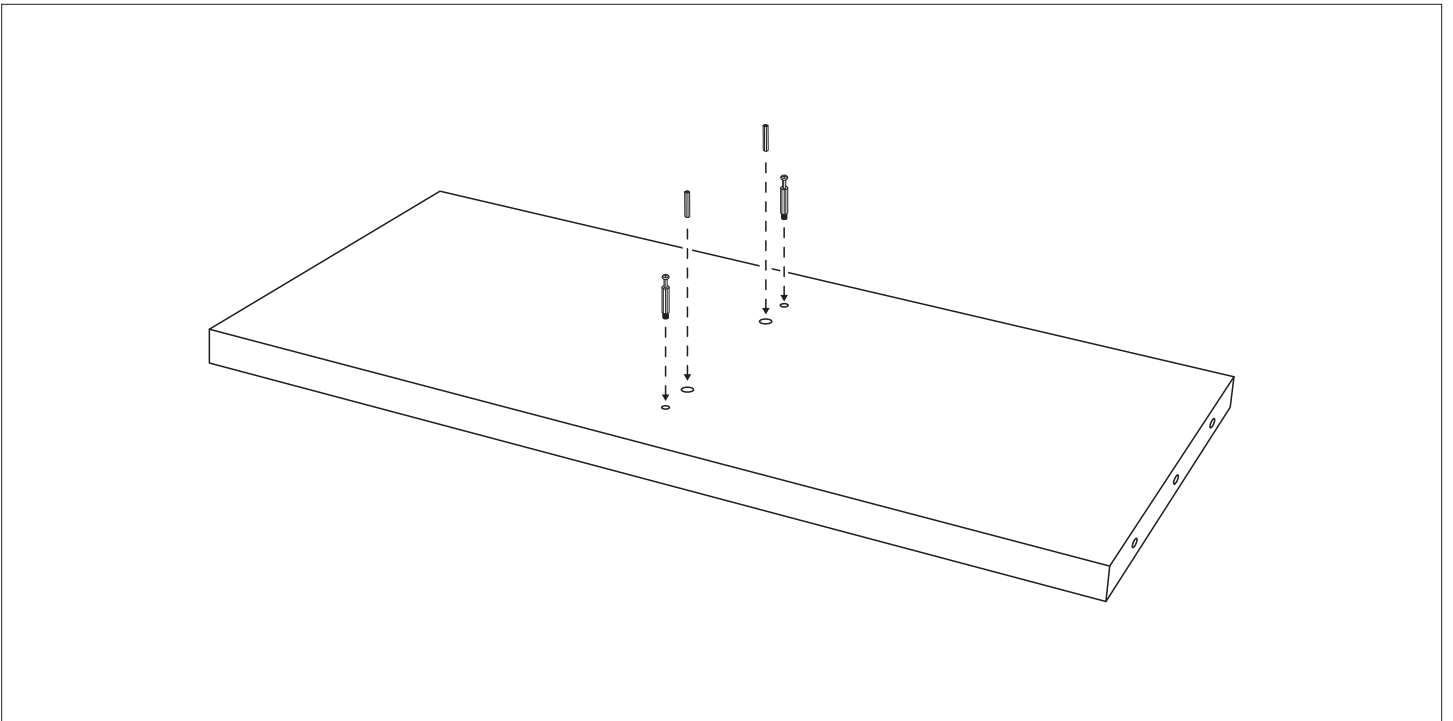
service@johnlouishome.com

www.johnlouishome.com

## Step 1

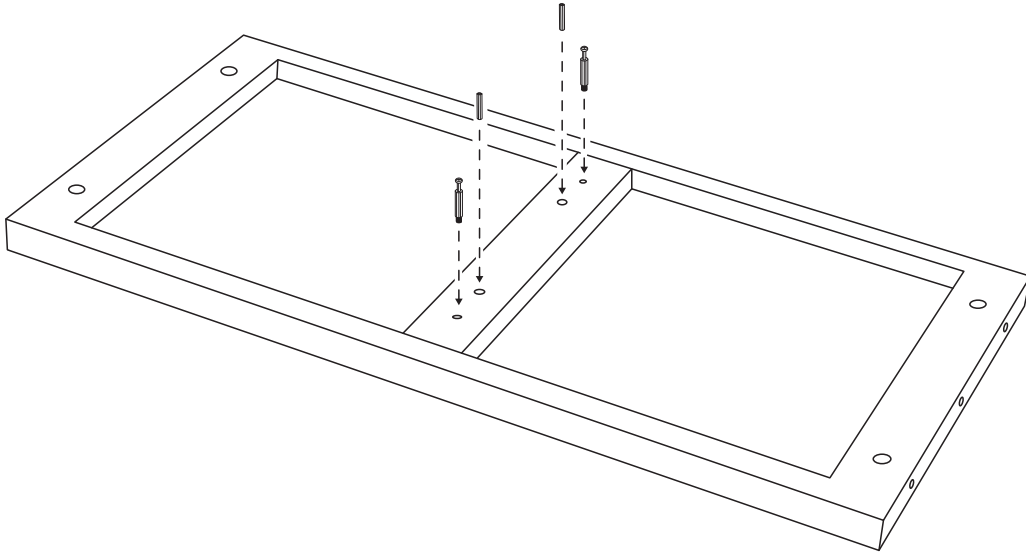


## Step 2



<b>2</b>		<b>2</b>	
----------	---	----------	---

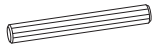
### Step 3



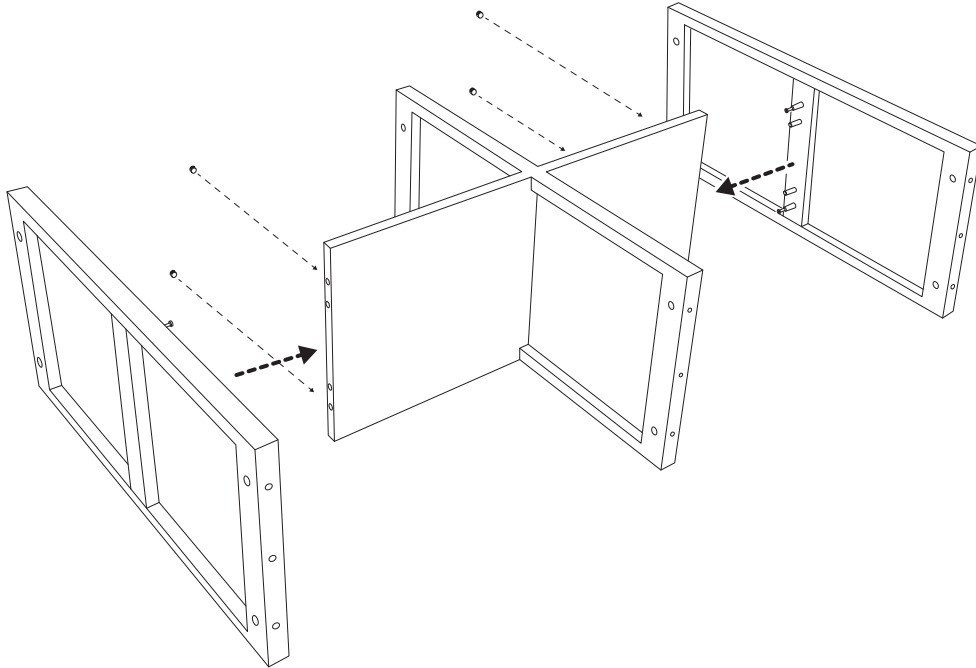
2



2



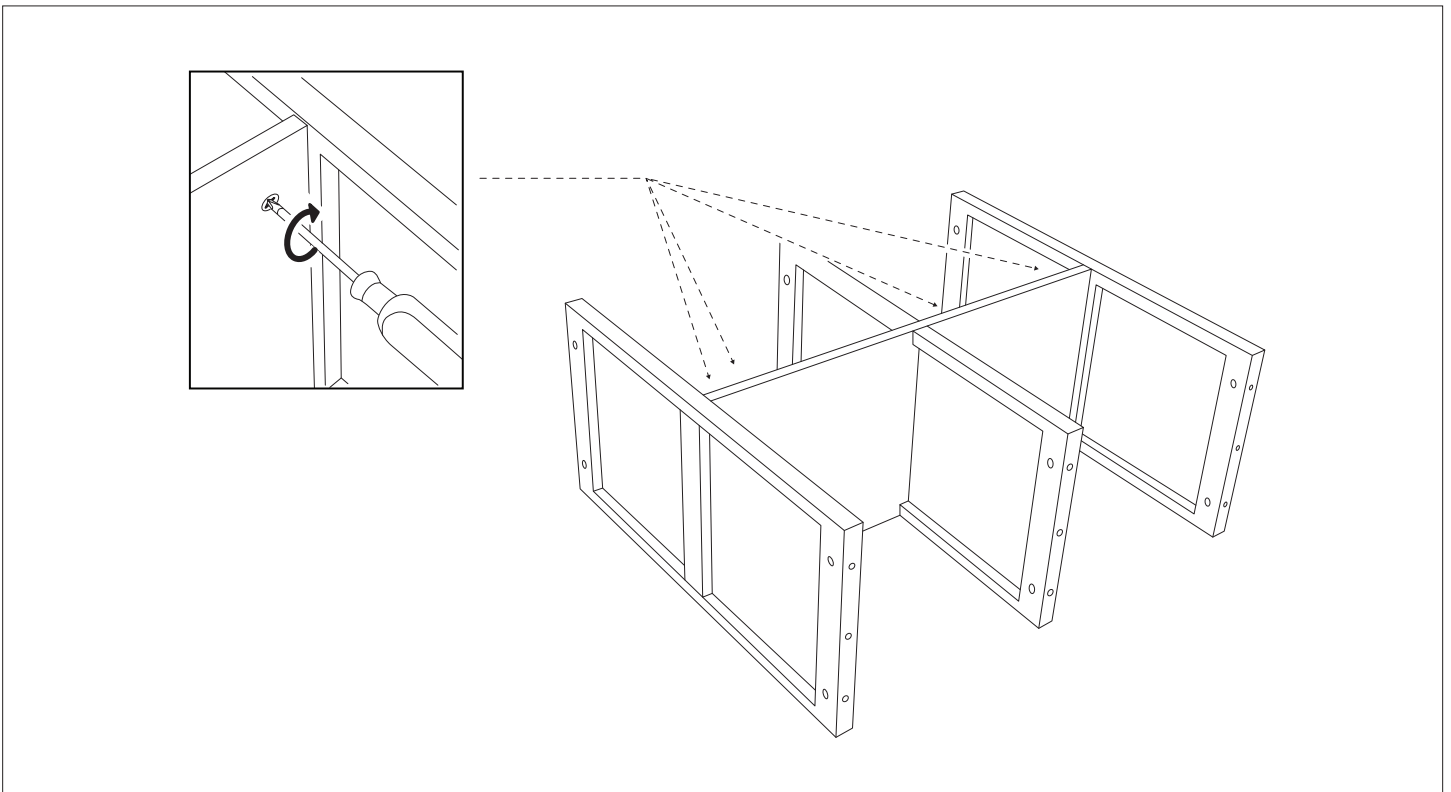
### Step 4



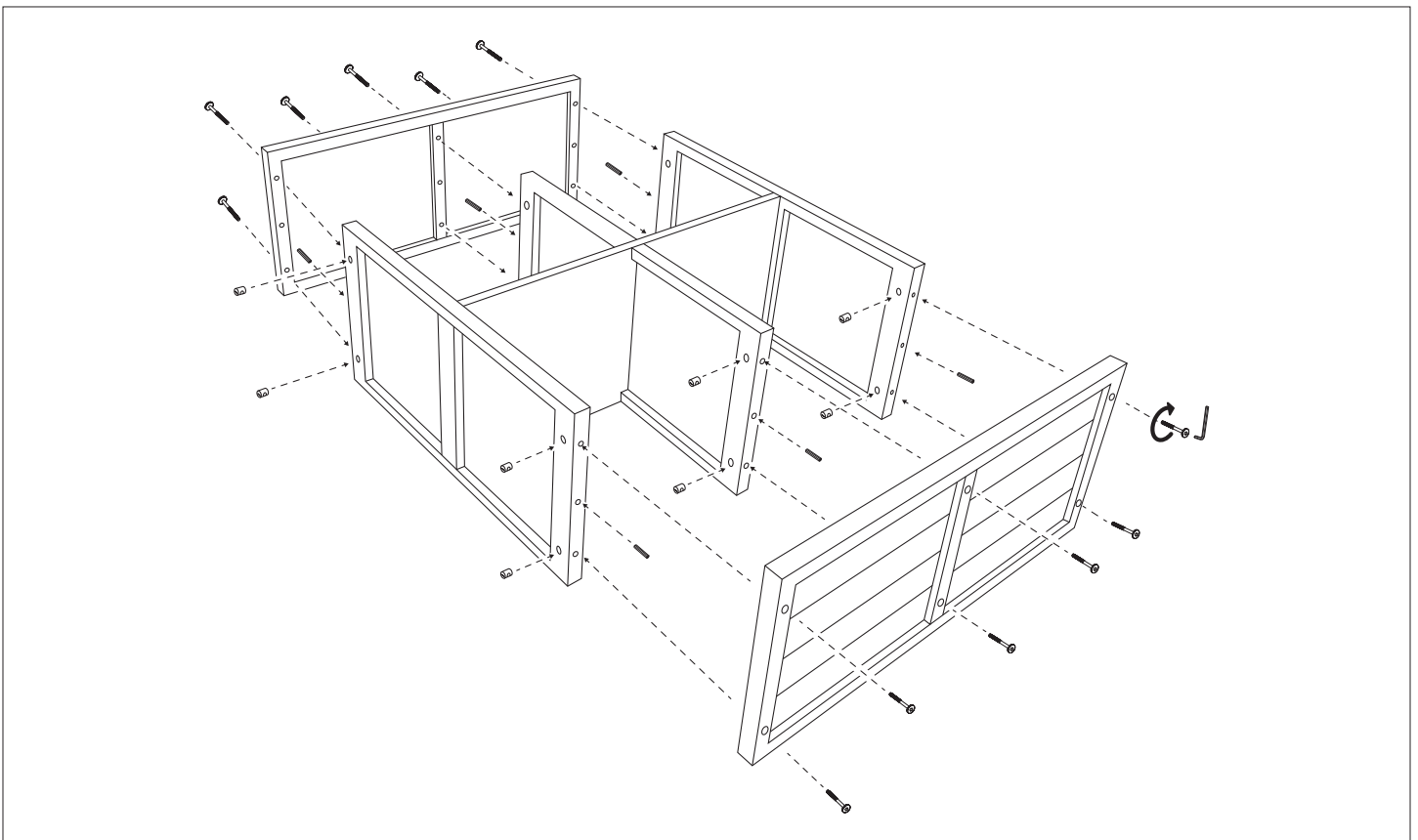
4

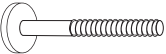

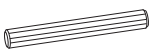


## Step 5

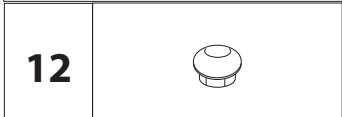
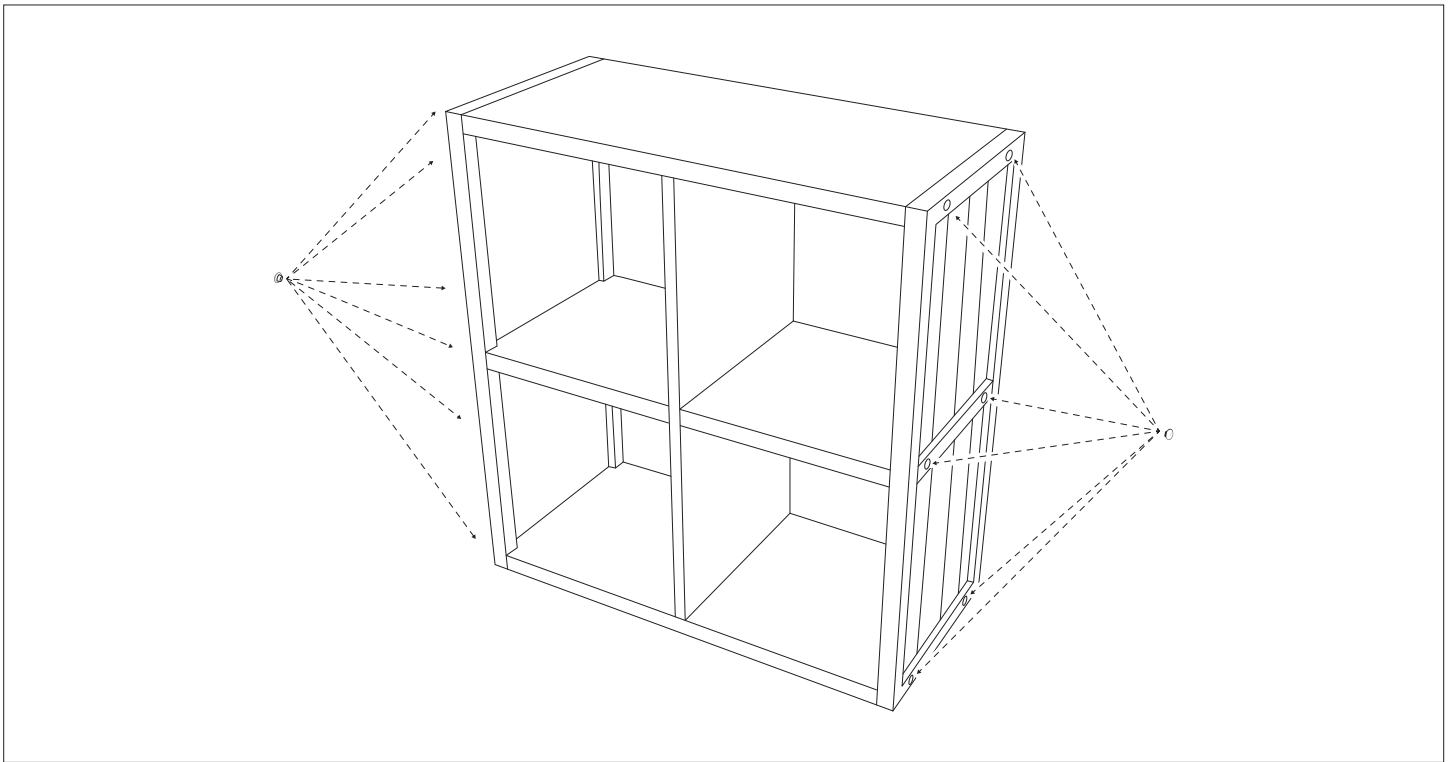


## Step 6

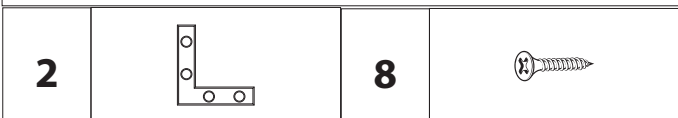
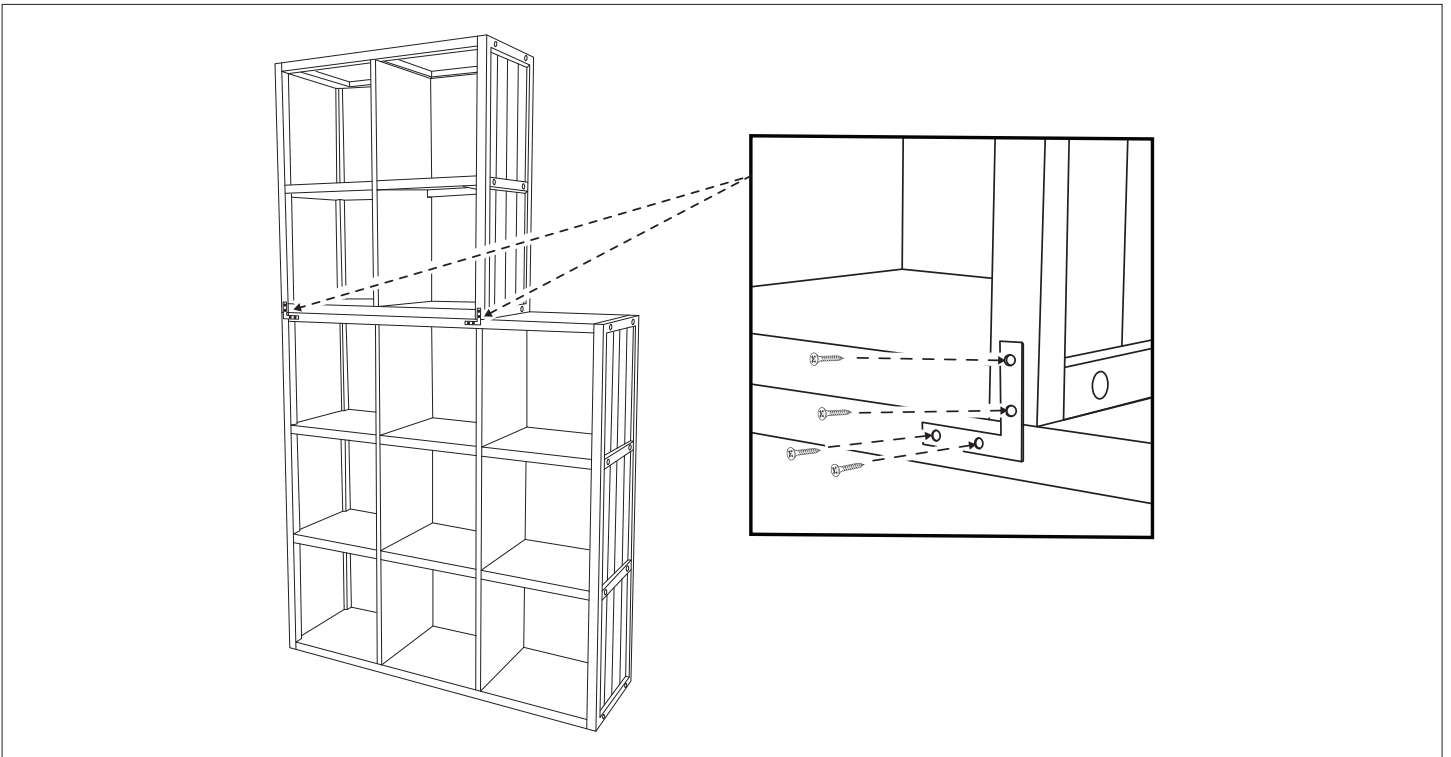


<b>12</b>		<b>12</b>		<b>6</b>	
-----------	---	-----------	---	----------	--

## Step 7



## Step 8 (Optional Stacking Fasten)



**Step 9 (Optional Anti-Tip)**

