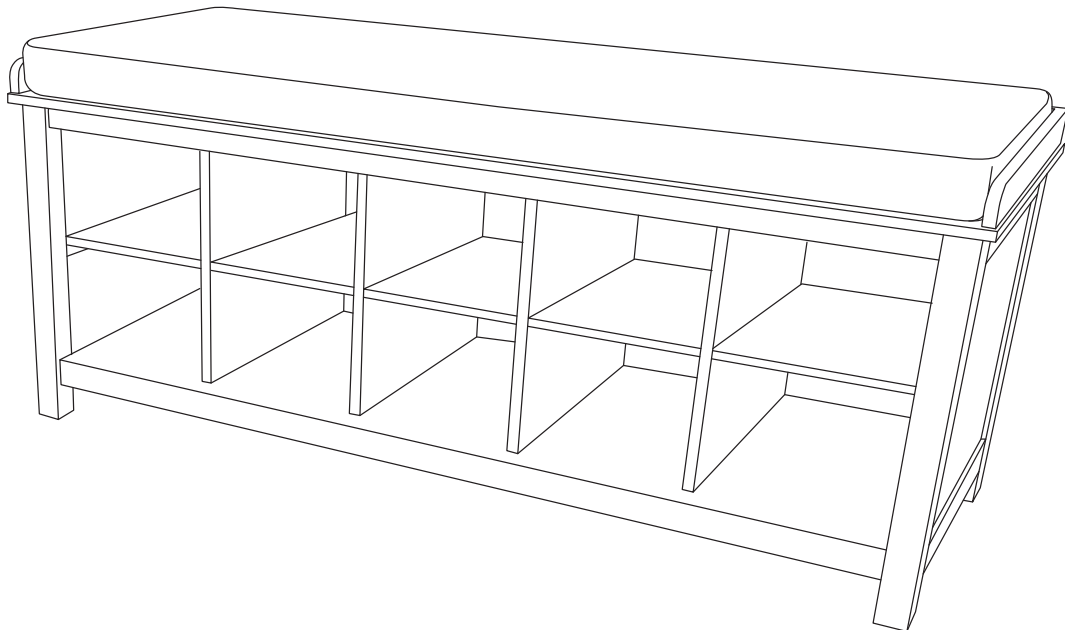

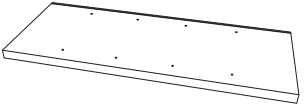

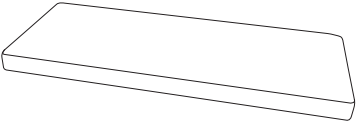
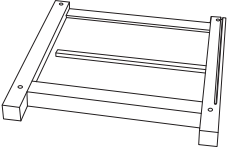
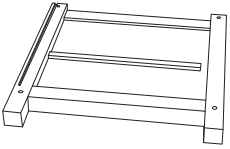
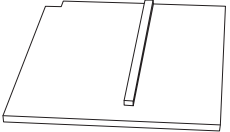
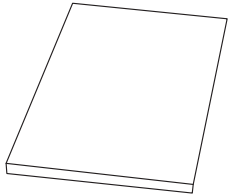
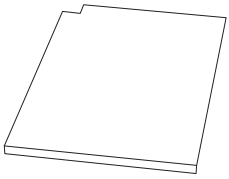
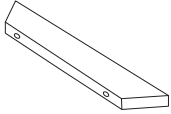




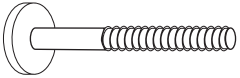


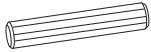
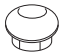
**Storage Bench**  
JLH-SB\*




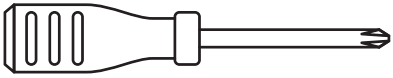

## Parts List

			
<b>A 1</b> Top	<b>B 1</b> Base	<b>C 1</b> Back	
			
<b>D 1</b> Cushion	<b>E 1</b> Left Side	<b>F 1</b> Right Side	<b>G 4</b> Spacer
			
<b>H 3</b> Middle Insert	<b>I 2</b> End Insert	<b>J 1</b> Bottom Support	

## Hardware List

				
<b>K 8</b> Barrel Bolt	<b>L 8</b> Barrel Nut	<b>M 2</b> #8 -1in. Screw	<b>N 16</b> Wood Dowel	<b>O 8</b> Bolt Cap

## Required Tools

		
<b>Q 1</b> Allen Wrench	Screw Driver	<b>P 1</b> Touch Up Pen

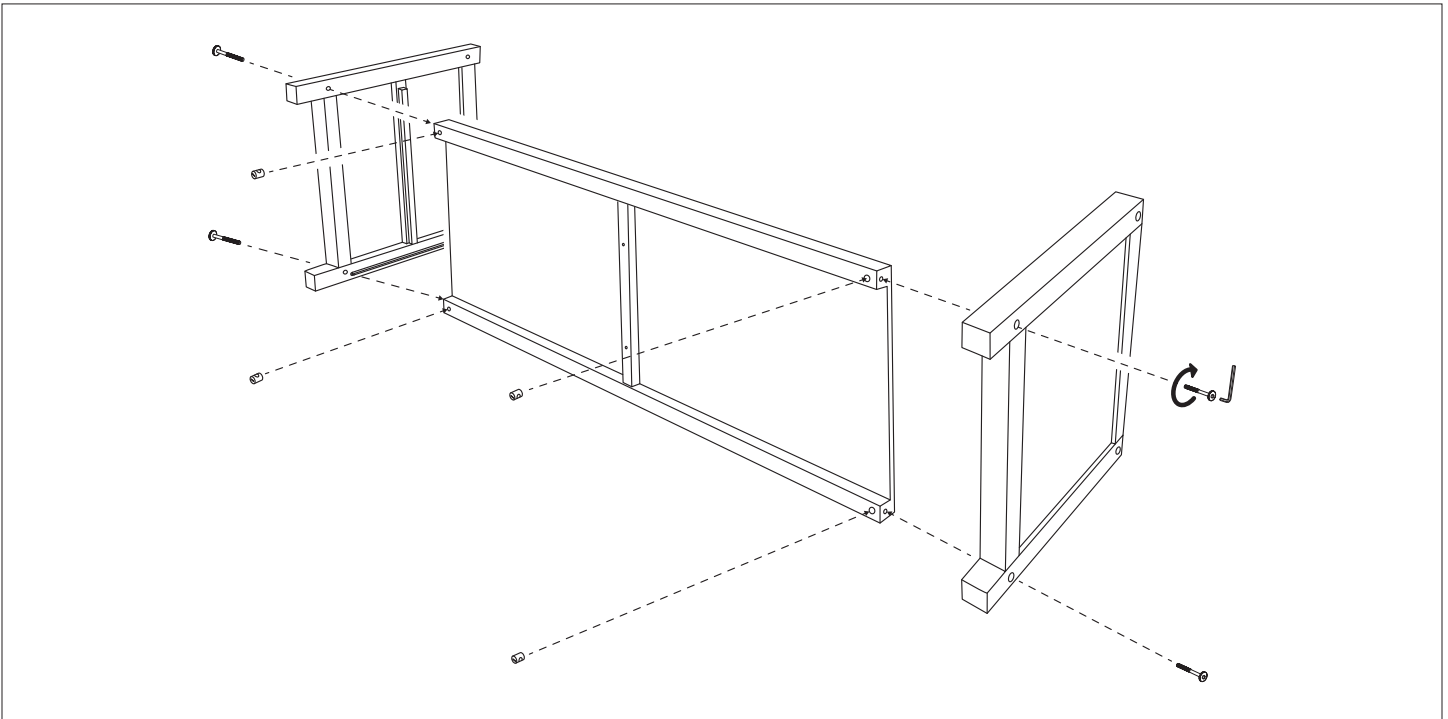
Thank you for your purchase. For any product or installation questions, damages, replacement or missing parts please contact us at:

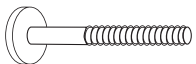

**1.800.480.6975**

service@johnlouishome.com

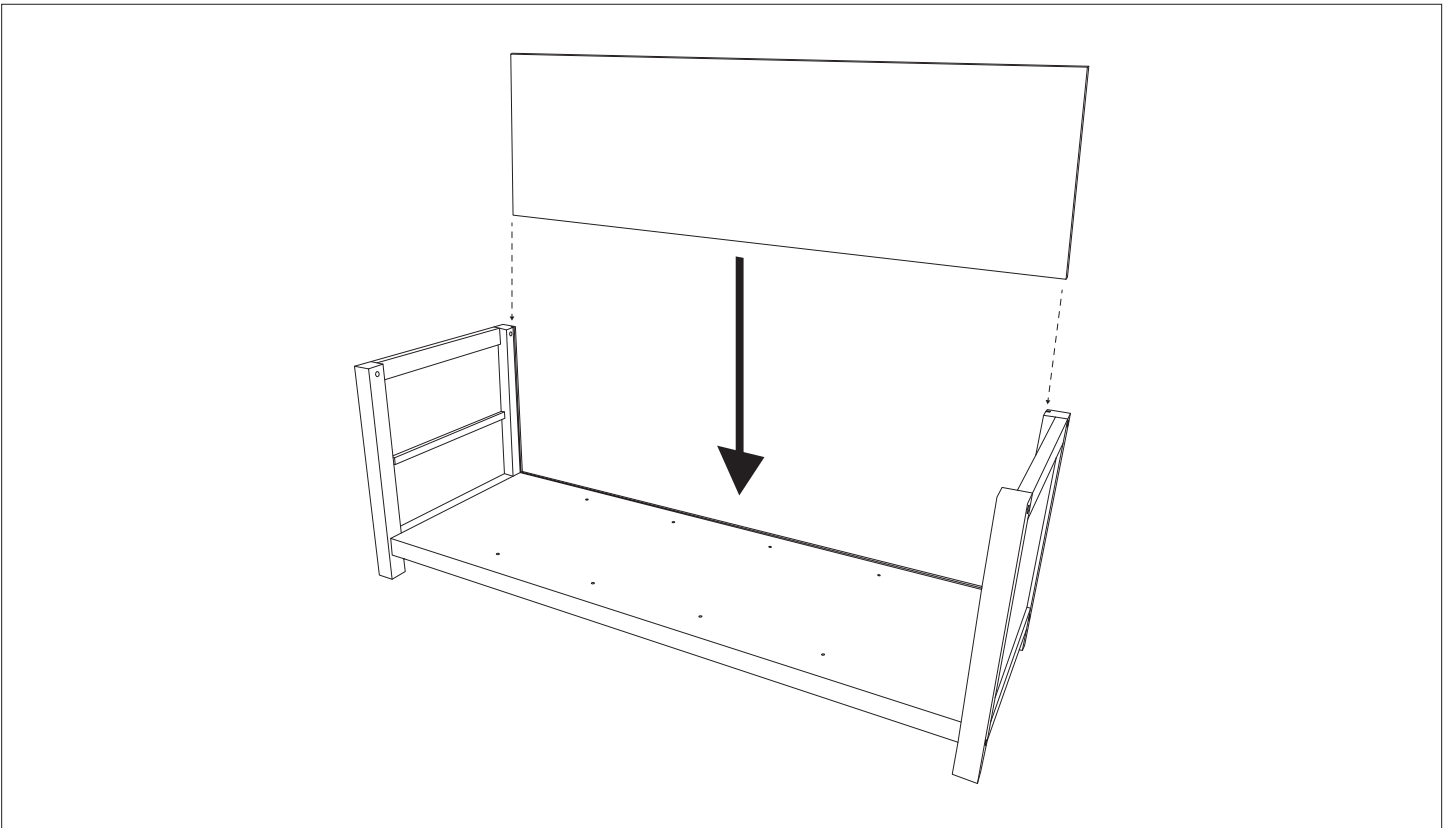
www.johnlouishome.com

## Step 1

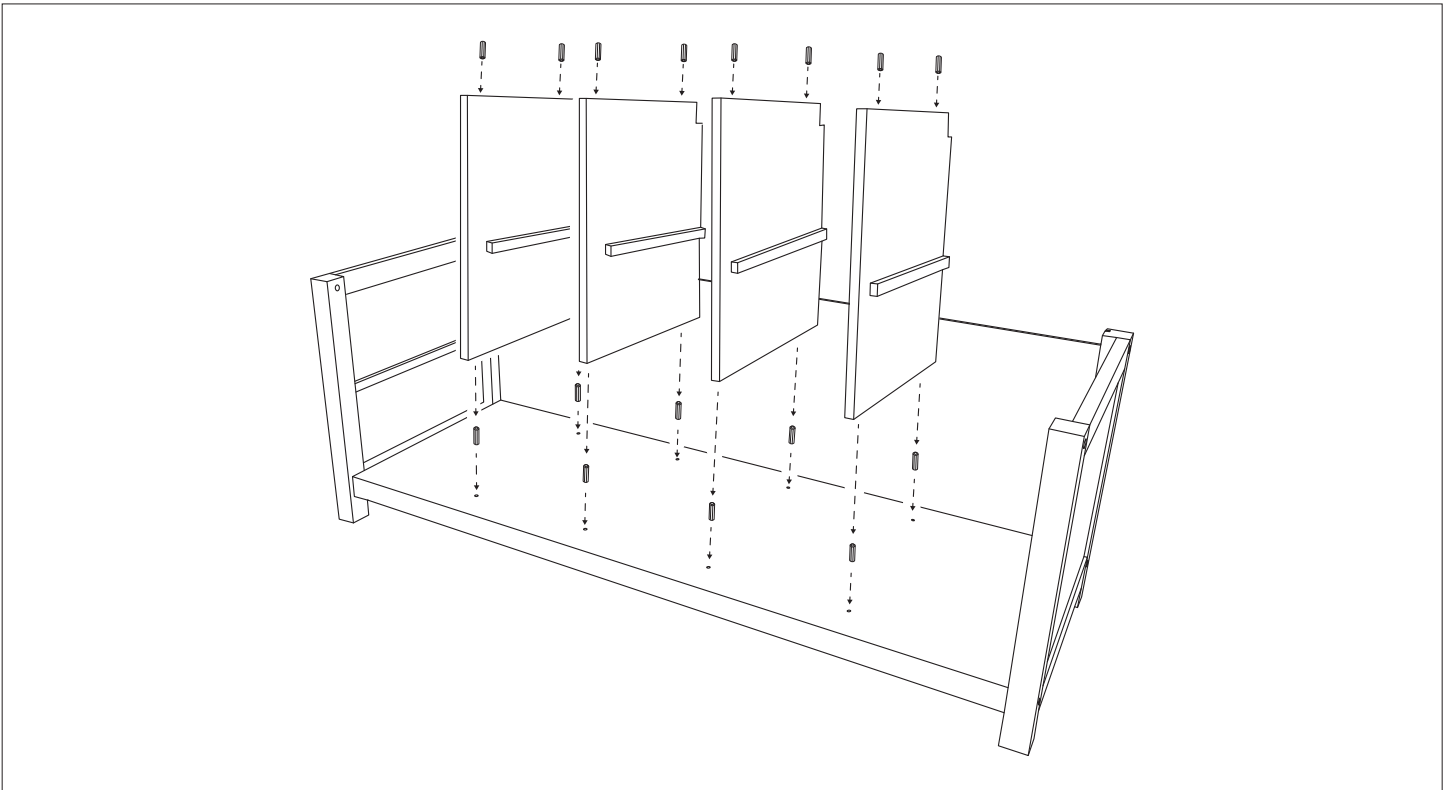


<b>4</b>		<b>4</b>	
----------	---	----------	---

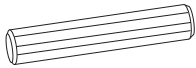
## Step 2



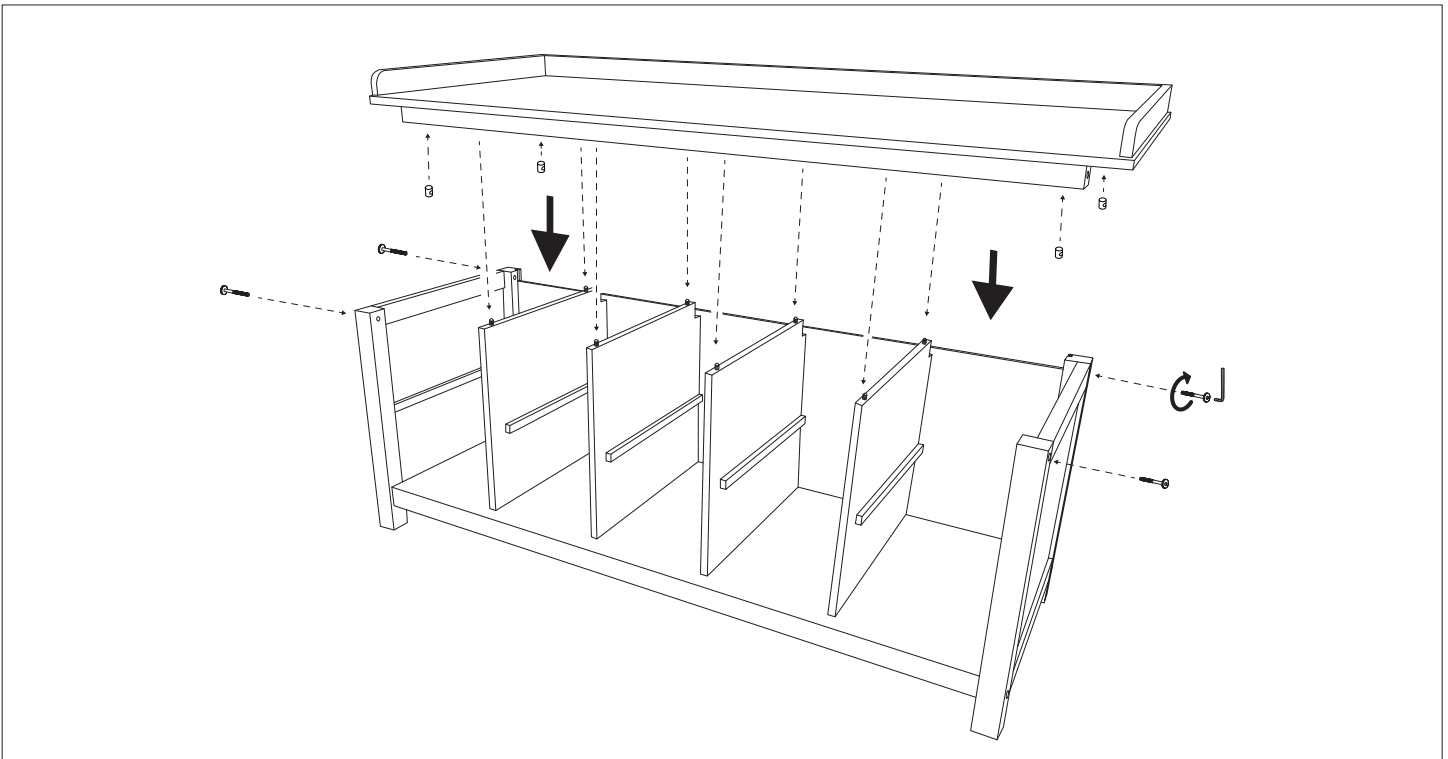
### Step 3



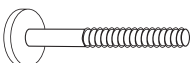
16



### Step 4



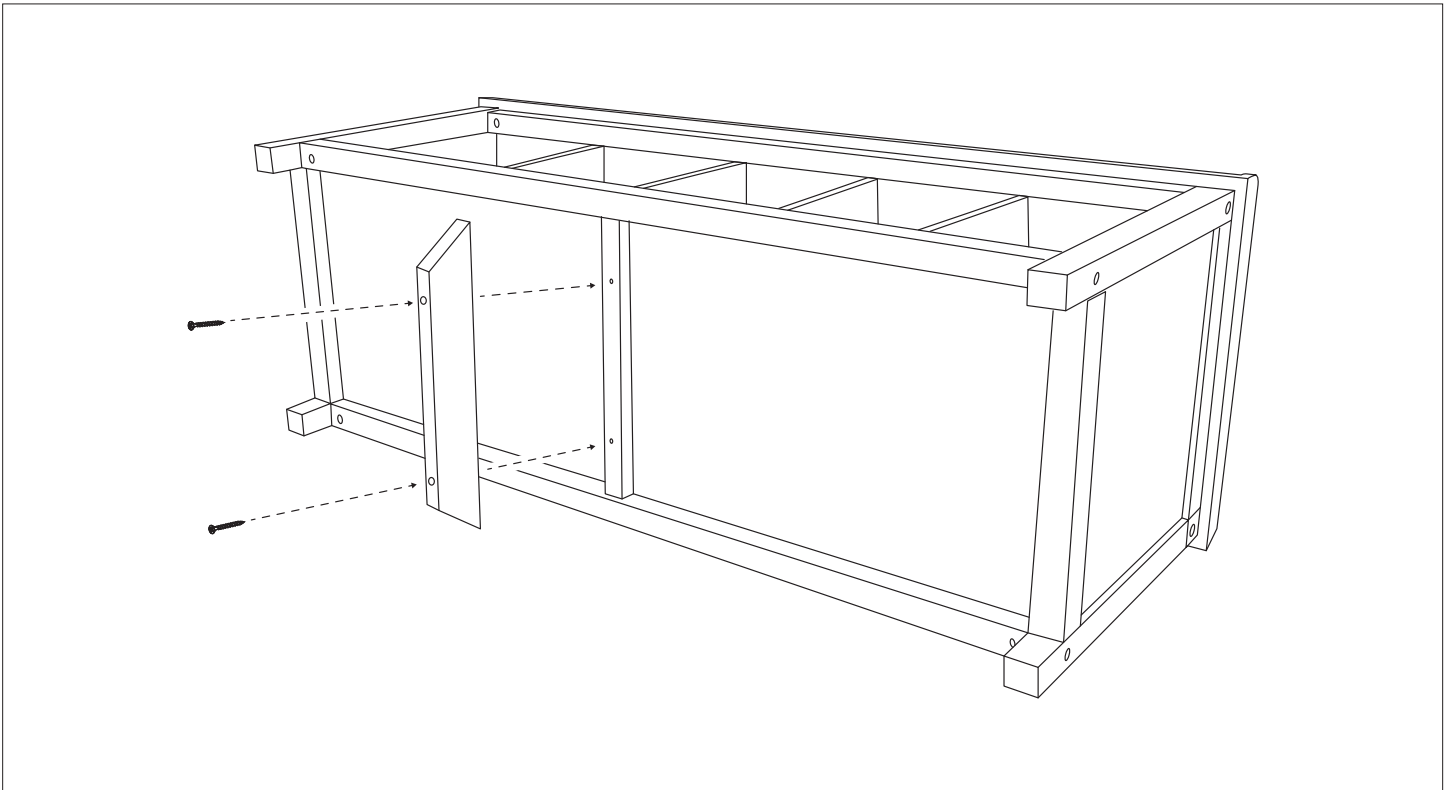
4



4



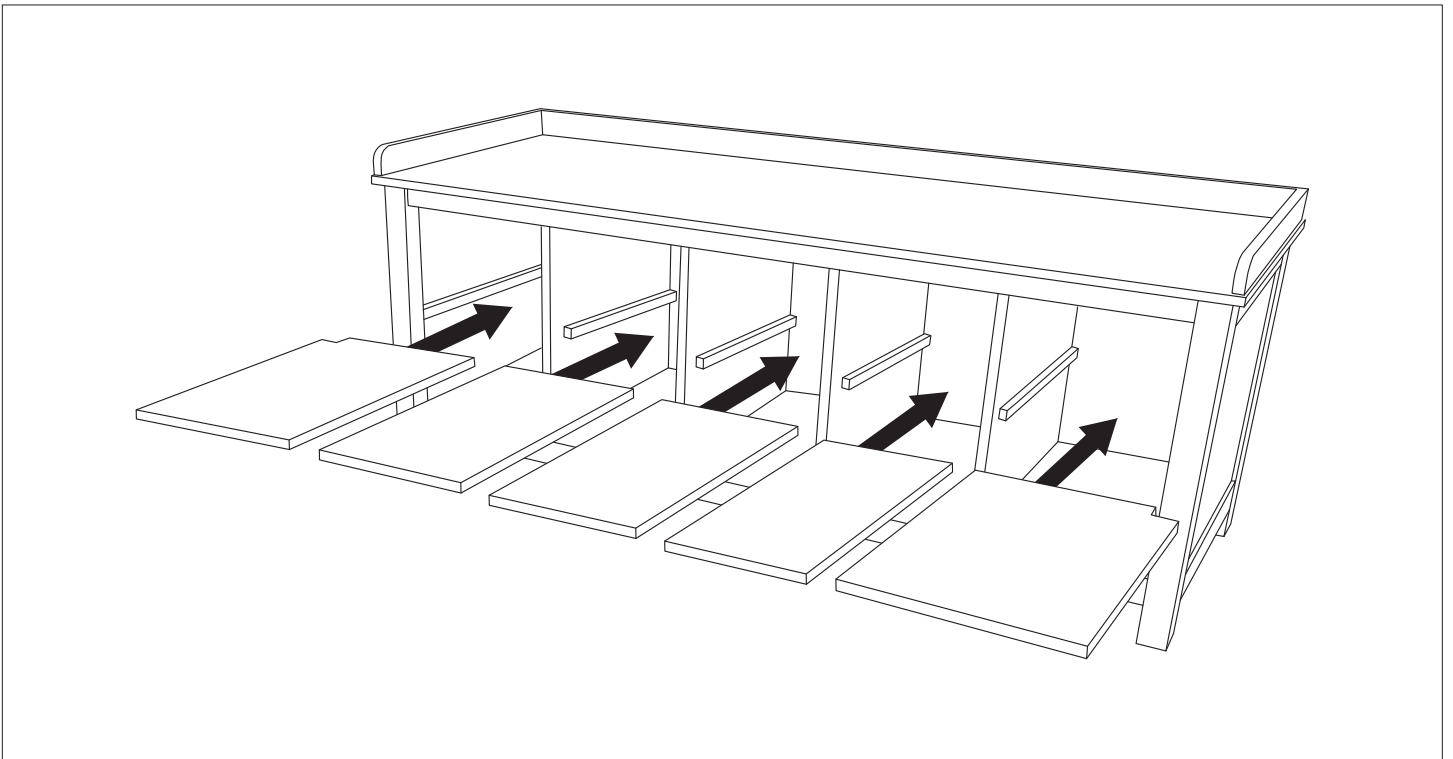
## Step 5 (Optional)



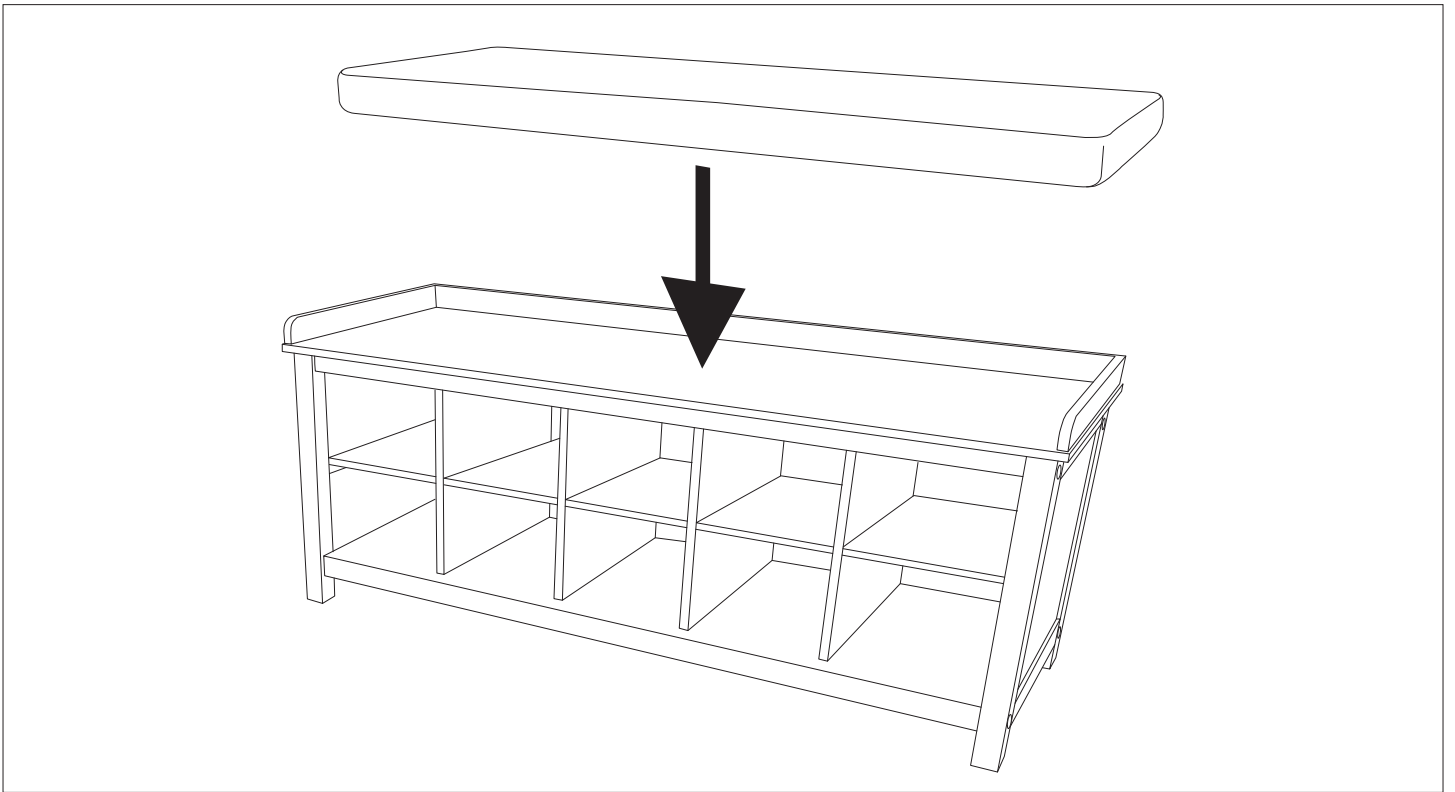
2



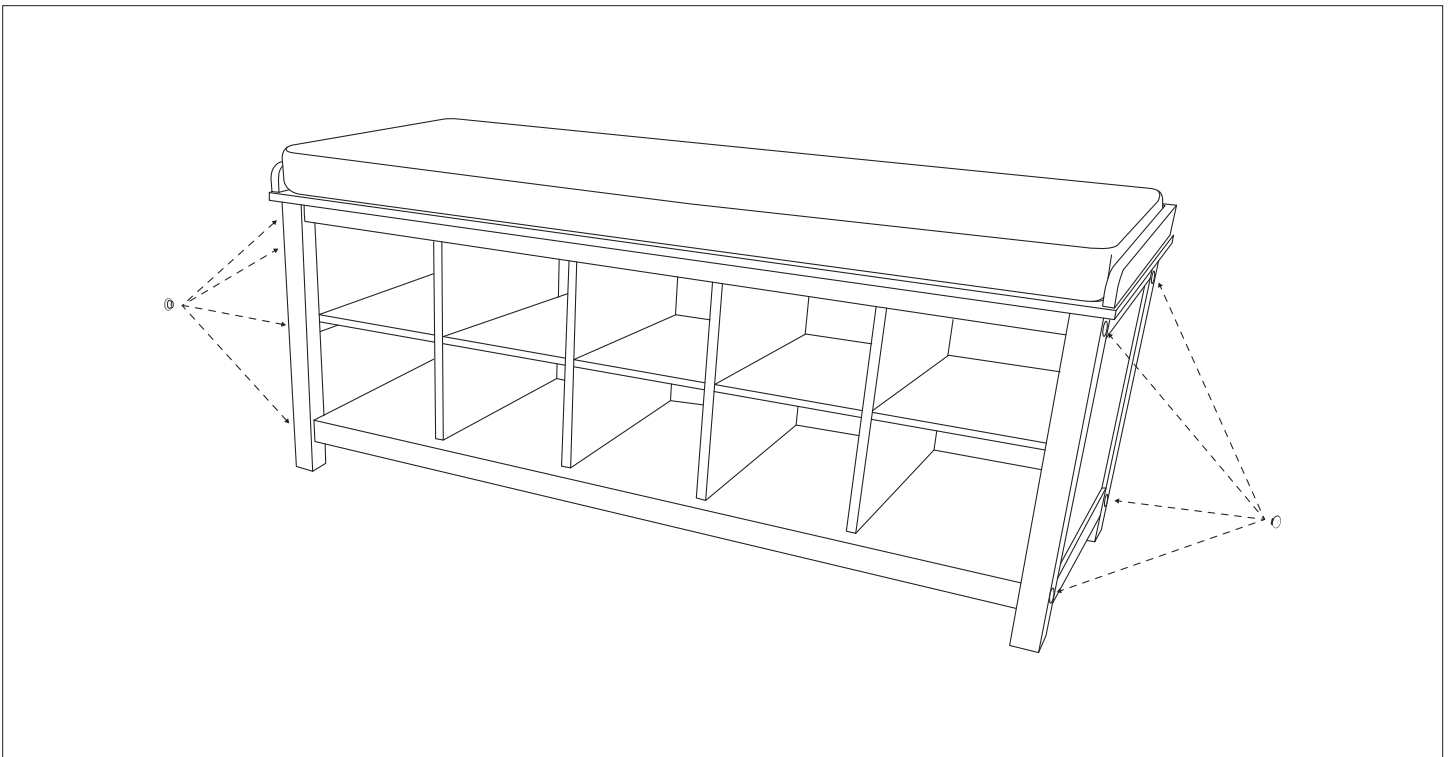
## Step 6



## Step 7



## Step 8



8

