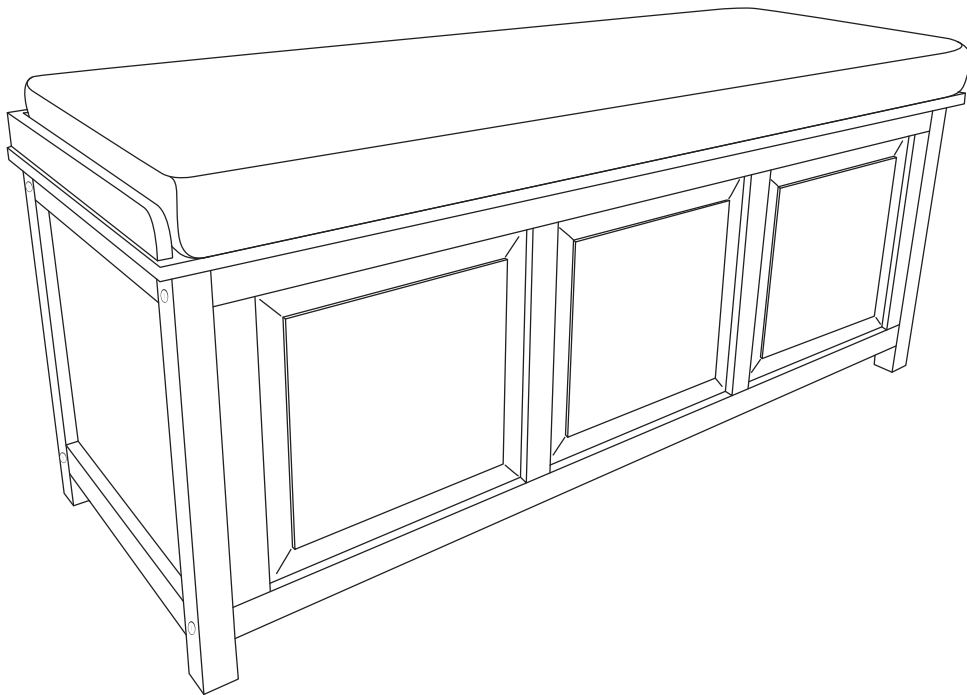


JOHN LOUIS HOME

Solid Wood Home Storage Solutions

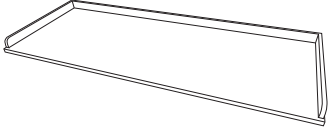

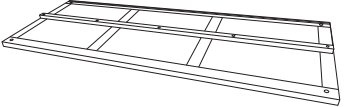
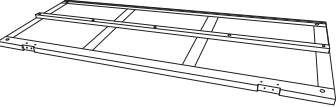
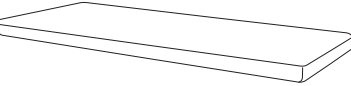
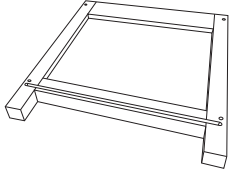
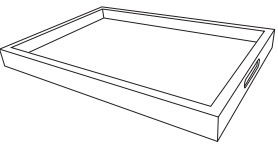
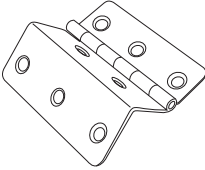
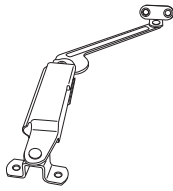


Installation Instructions

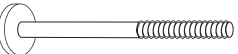

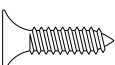
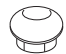

Storage Chest

JLH-SC*


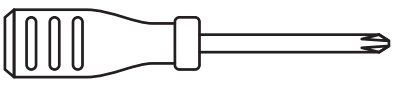
Parts List

		
A 1 Top	B 1 Bottom	C 1 Front
		
D 1 Back	E 1 Cushion	F 2 Side
		
G 1 Right Side	H 2 Swivel Hinge	I 2 Spring Hinge

Hardware List

				
J 8 Barrel Bolt	K 8 Barrel Nut	L 24 #8-1/2in. Screw	M 8 Bolt Cap	N 1 Touch Up Pen

Required Tools

	
O 1 Allen Wrench	Screw Driver

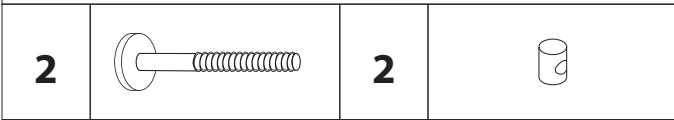
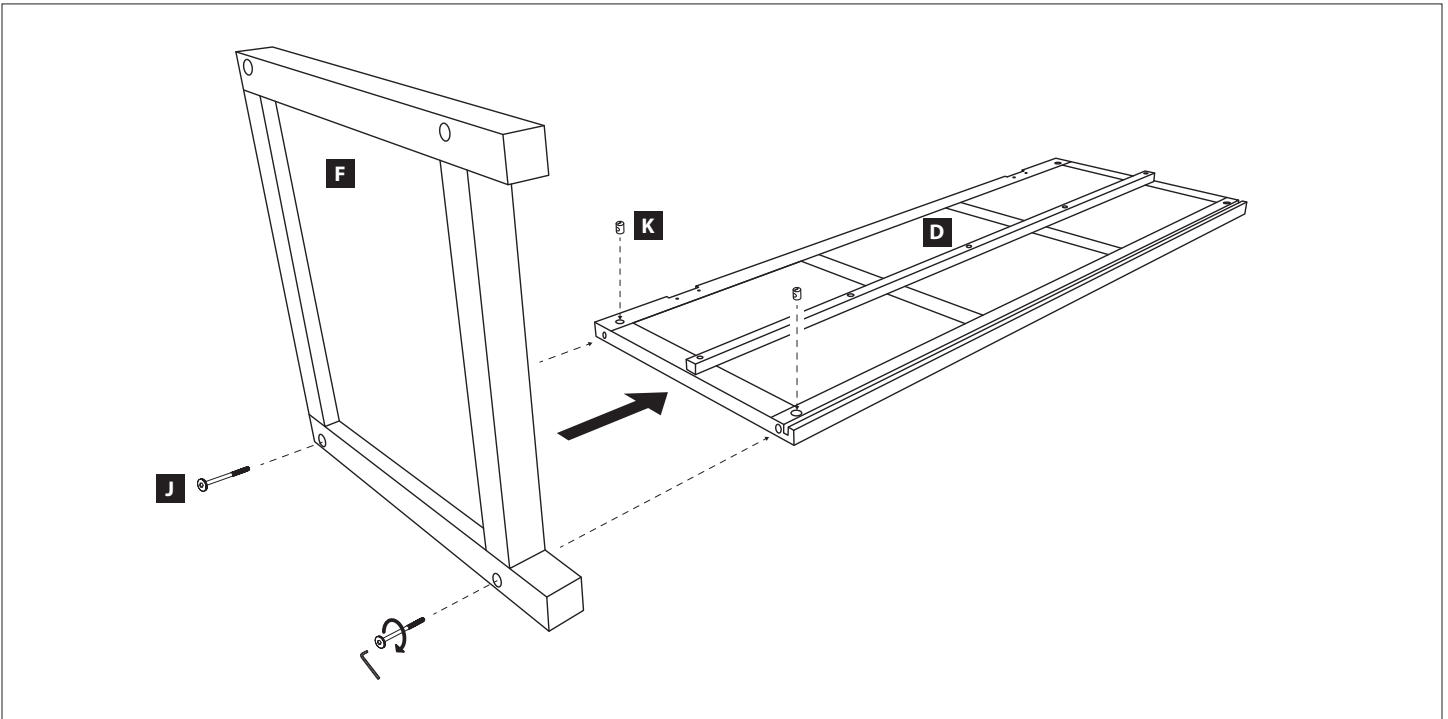
Thank you for your purchase. For any product or installation questions, damages, replacement or missing parts please contact us at:

1.800.480.6985

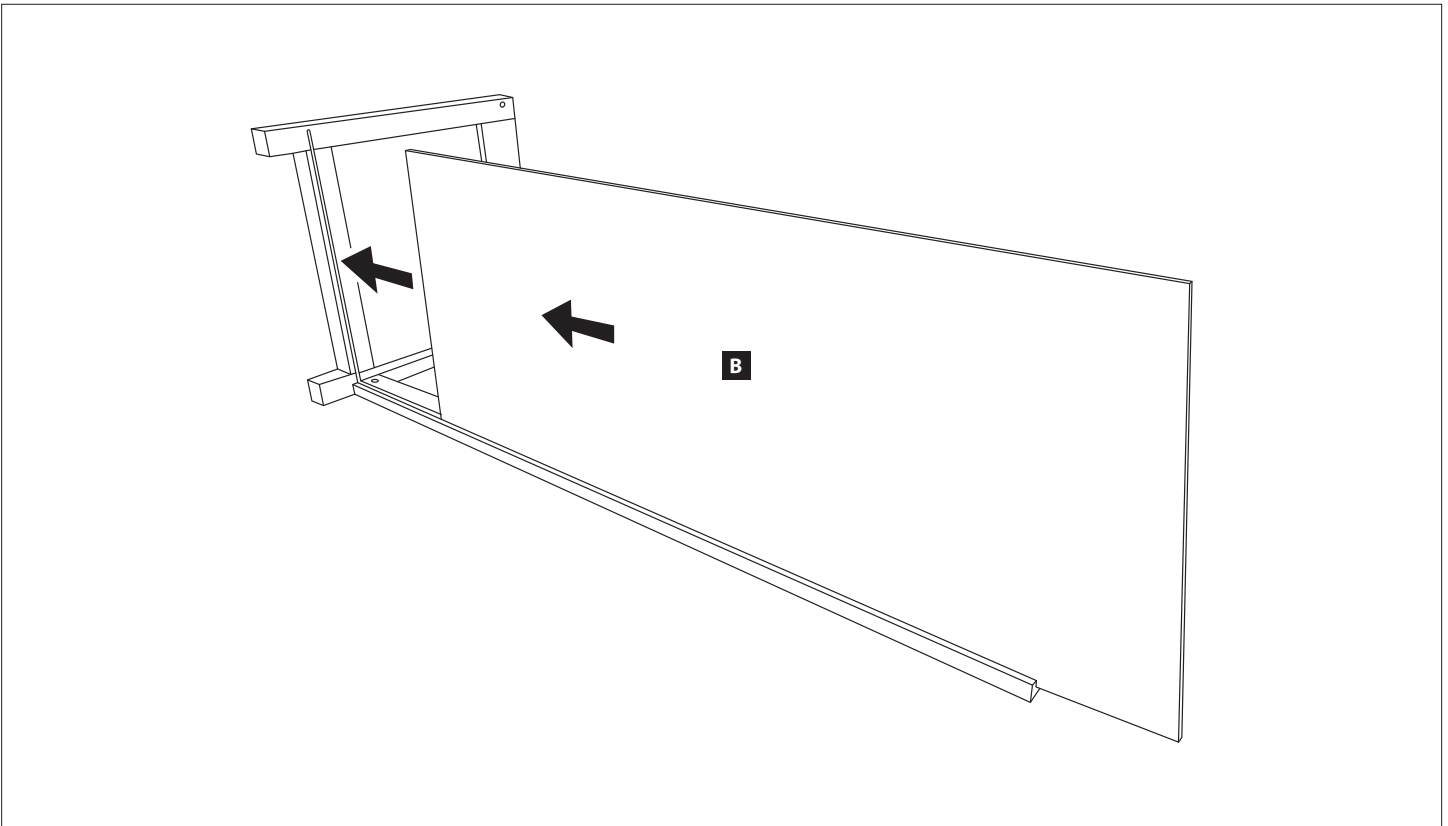
service@johnlouishome.com

www.johnlouishome.com

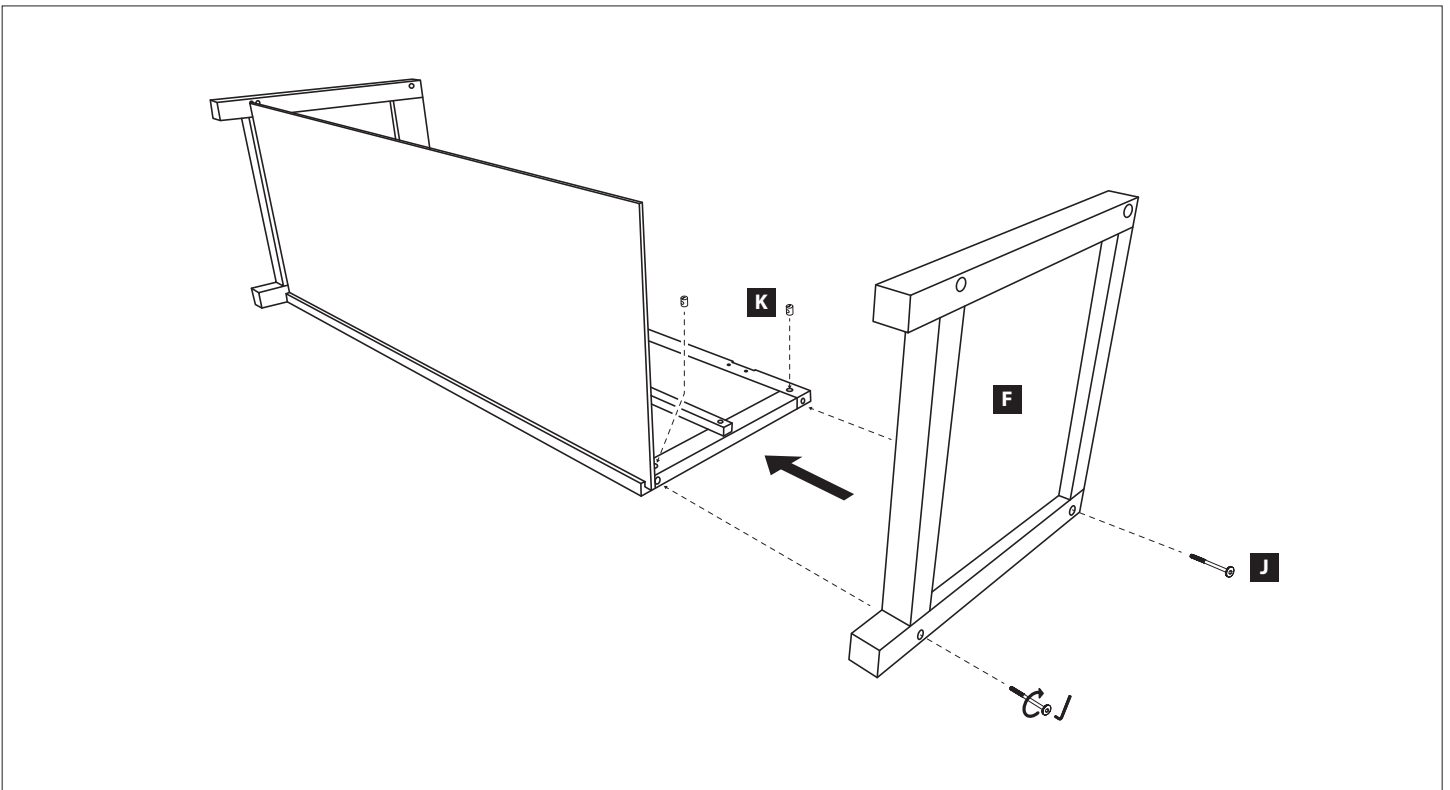
Step 1

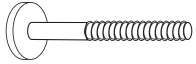



Step 2

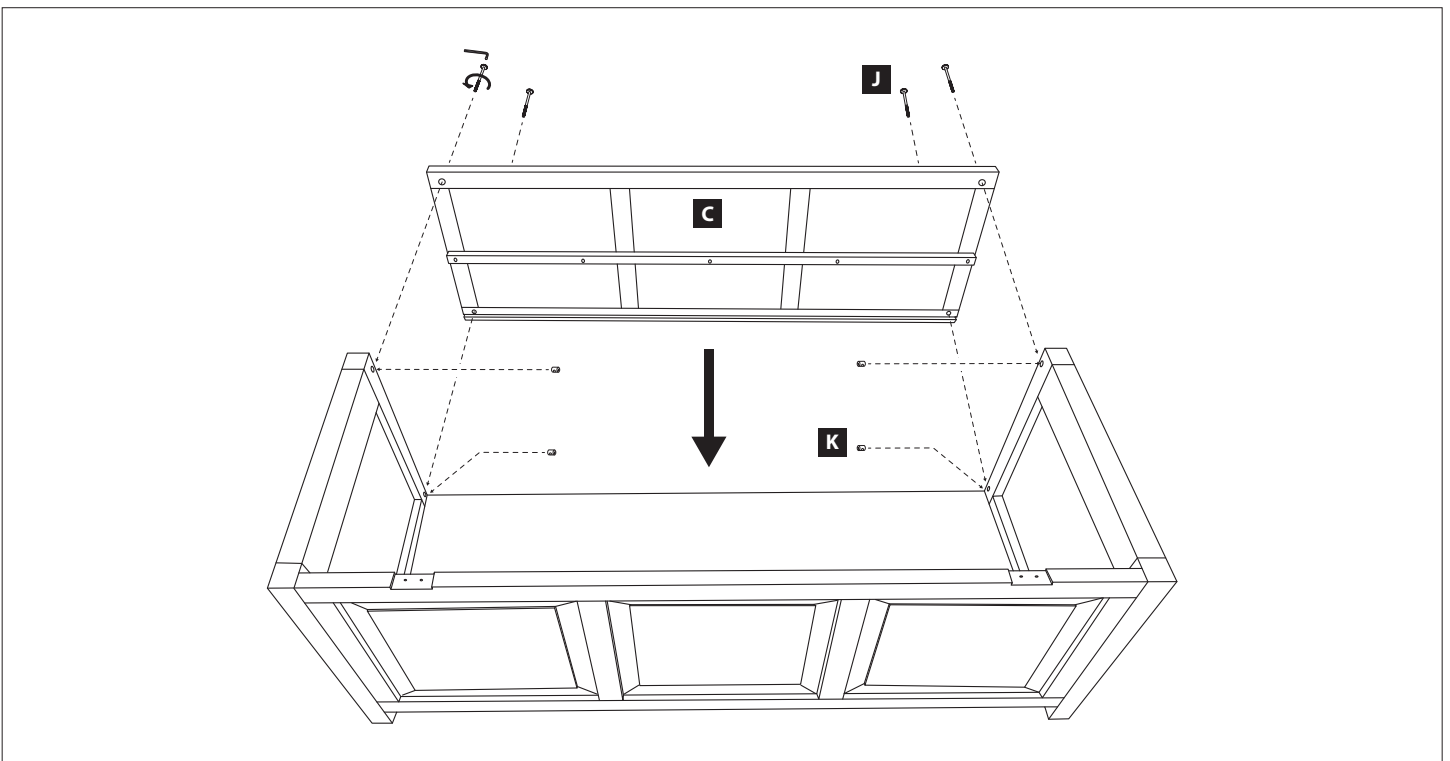


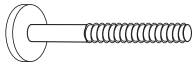

Step 3



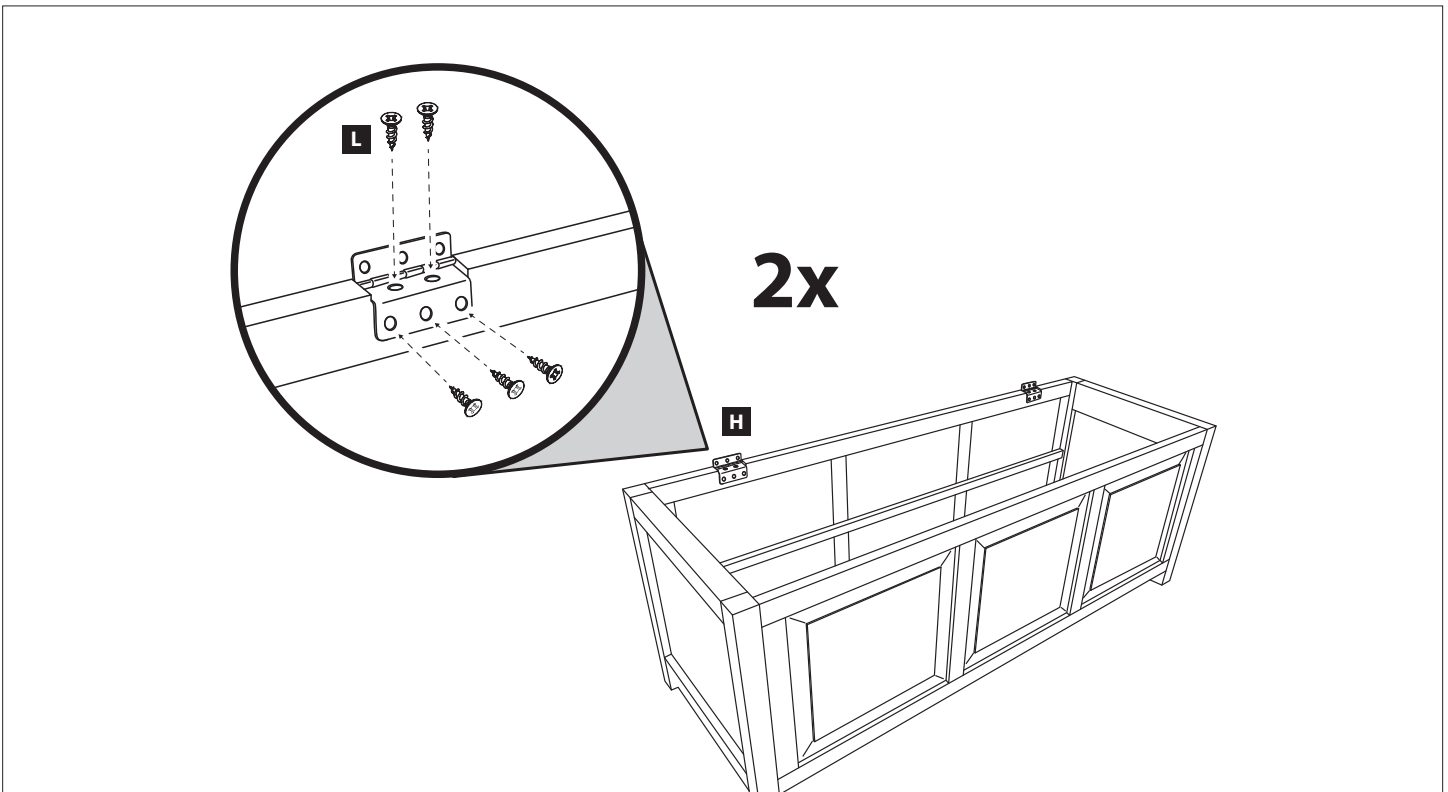
2		2	
---	--	---	--

Step 4

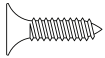


4		4	
---	---	---	---

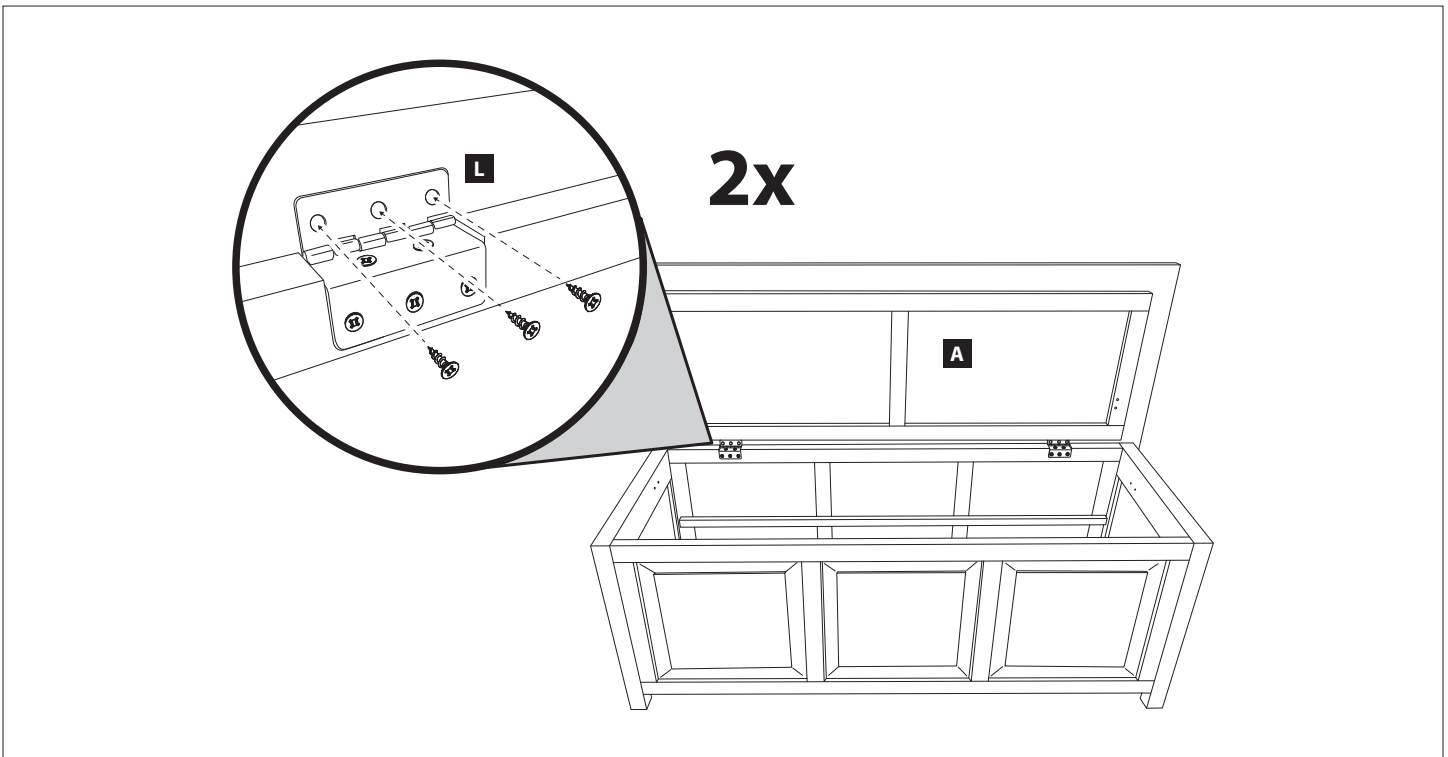
Step 5



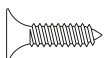
10



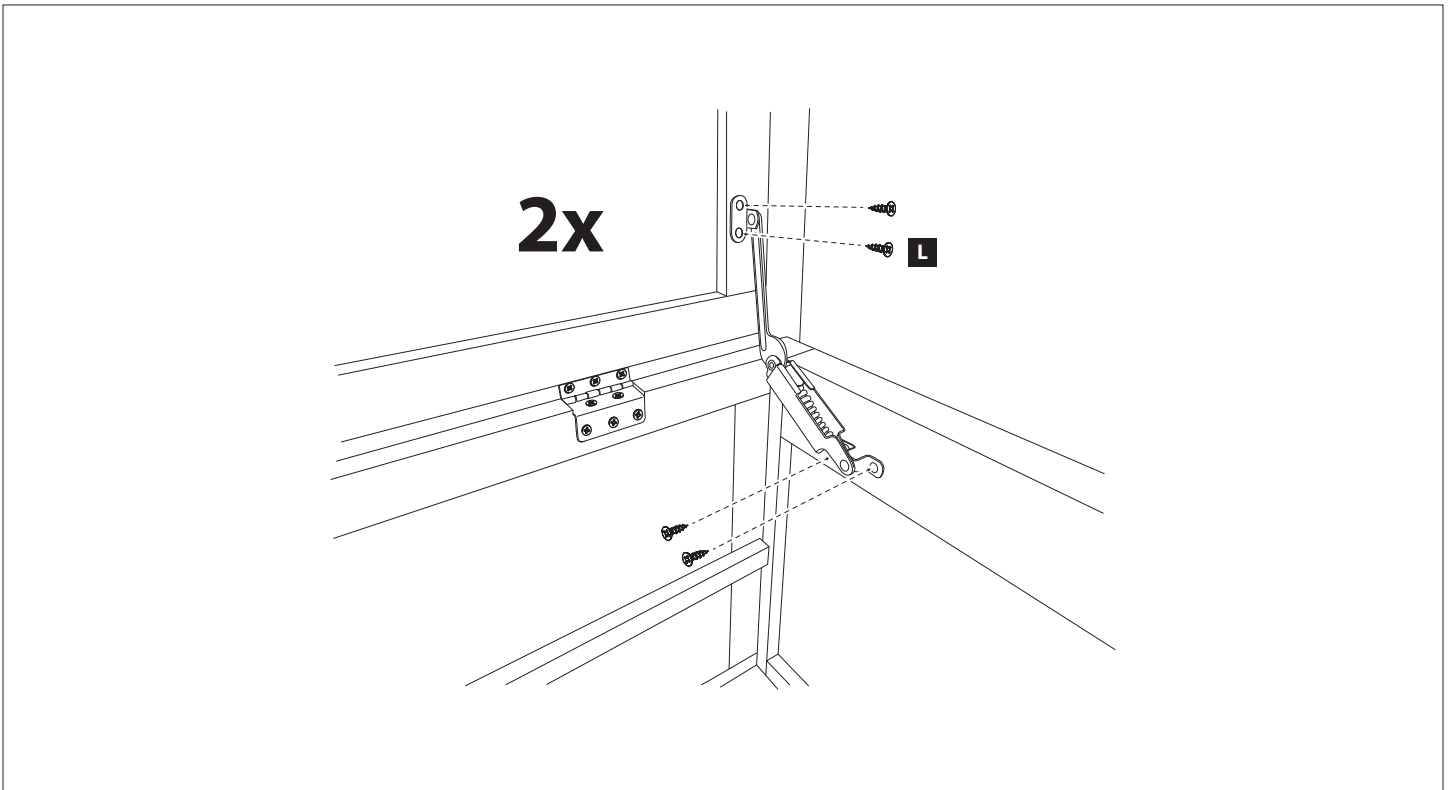
Step 6



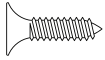
6



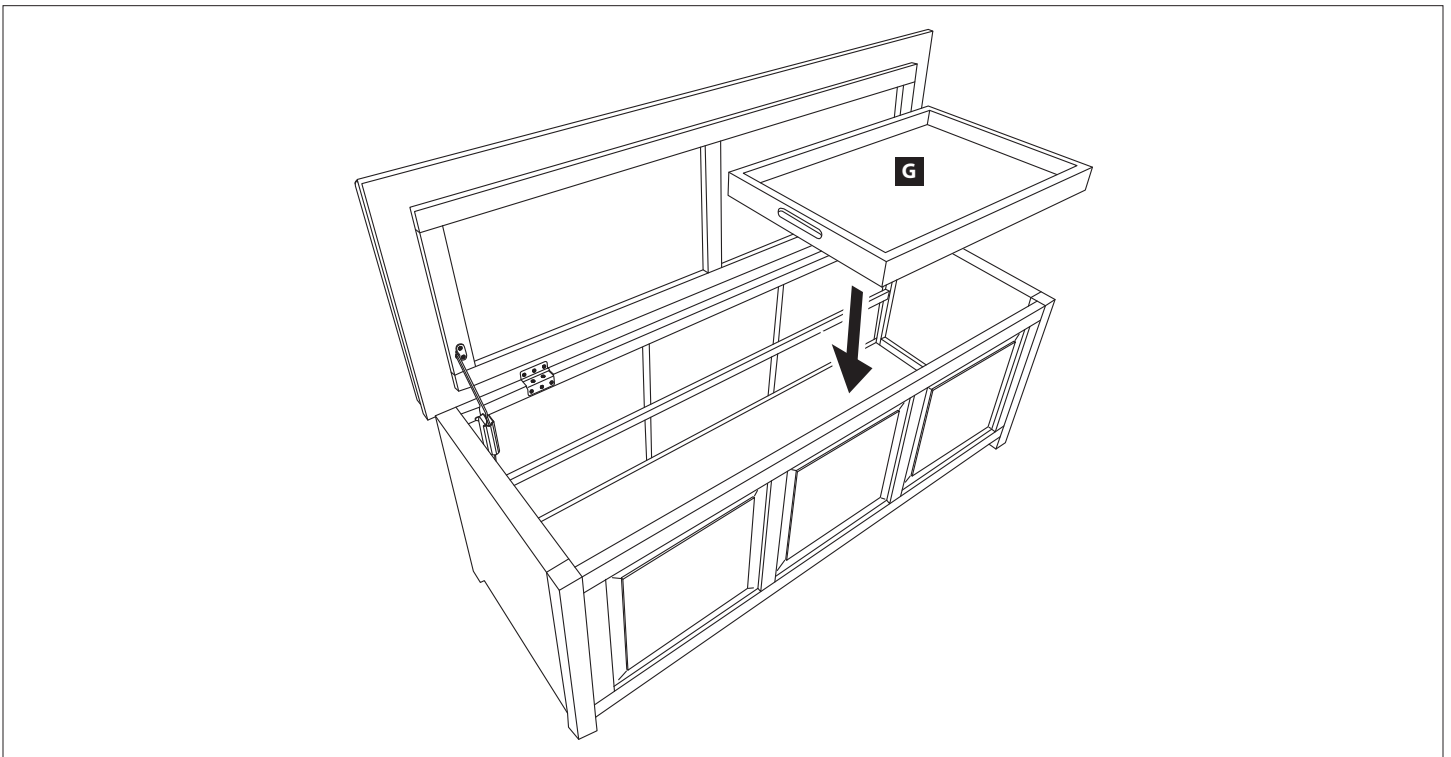
Step 7



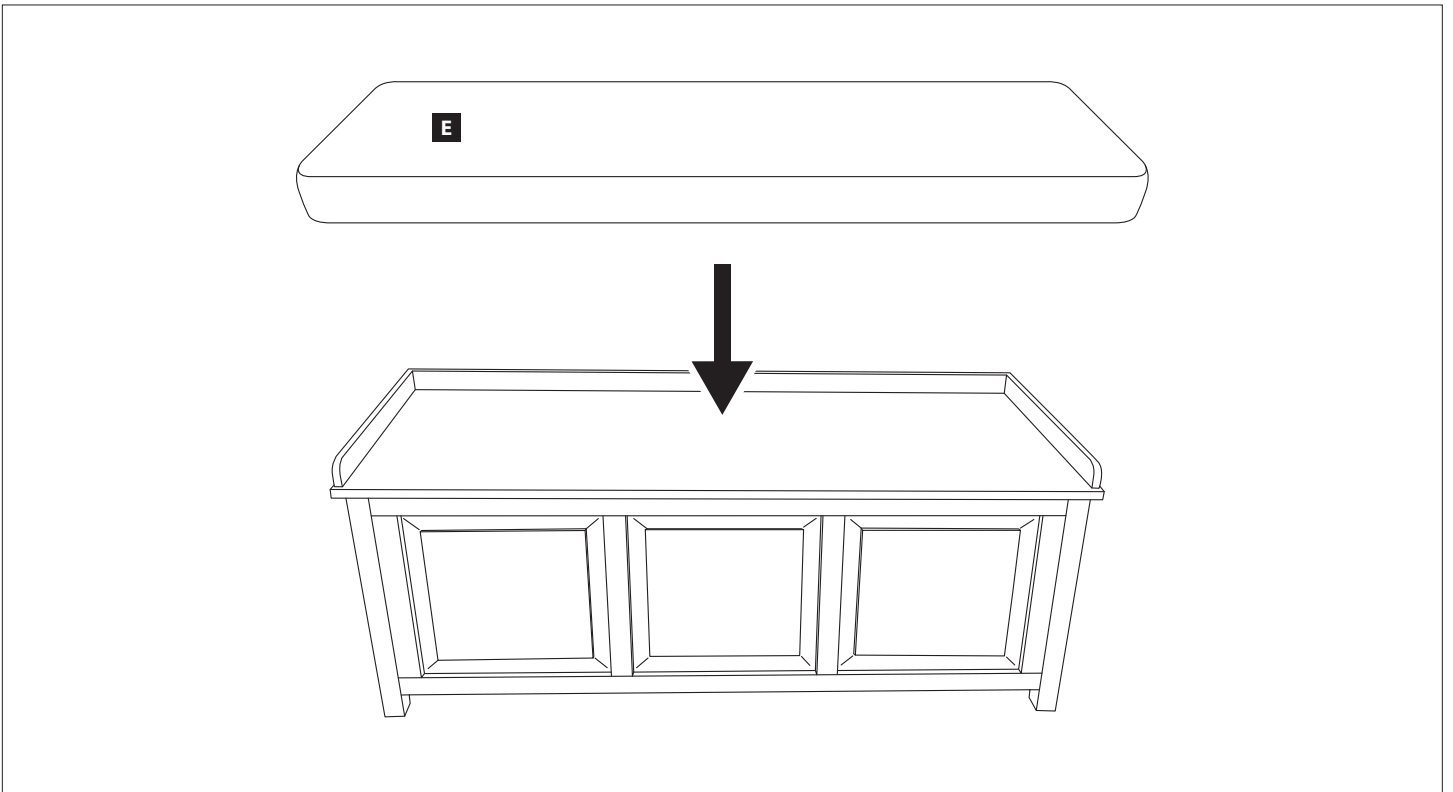
8



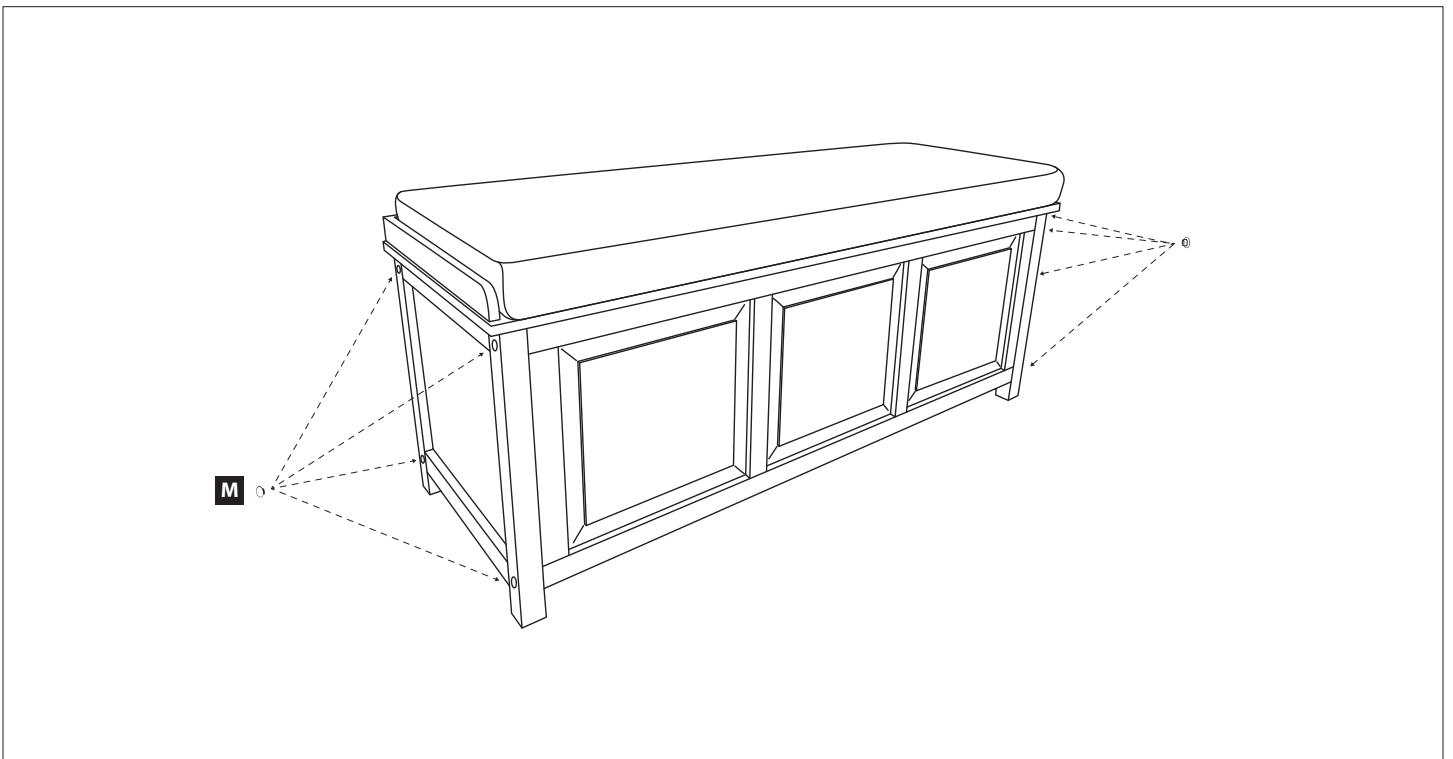
Step 8



Step 9



Step 10



8

