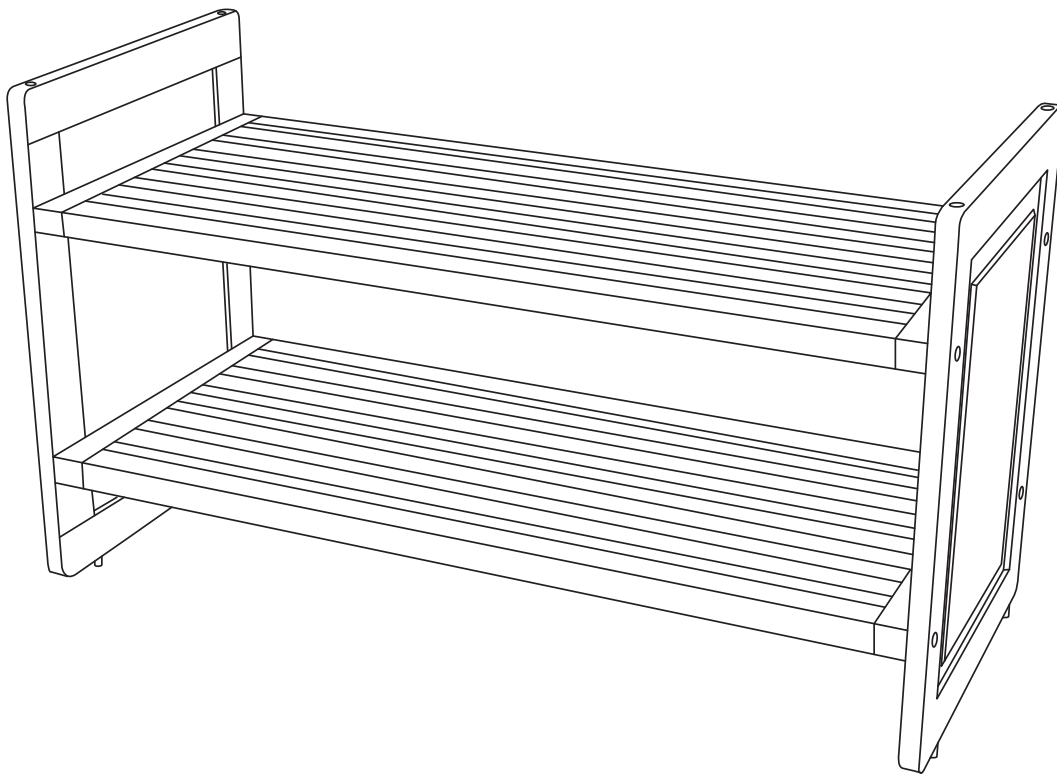
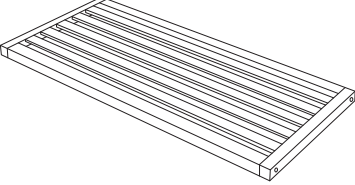
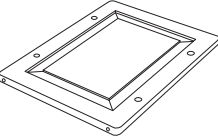

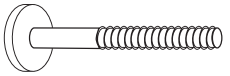
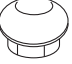

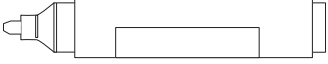




**Storage Rack**  
JLH-SR\*



## Parts List

			
<b>A 2</b> Shelf	<b>B 2</b> Side	<b>C 4</b> Metal Pin	<b>D 8</b> Barrel Bolt
			
<b>E 8</b> Bolt Cap	<b>F 1</b> Allen Wrench	<b>G 1</b> Touch Up Pen	

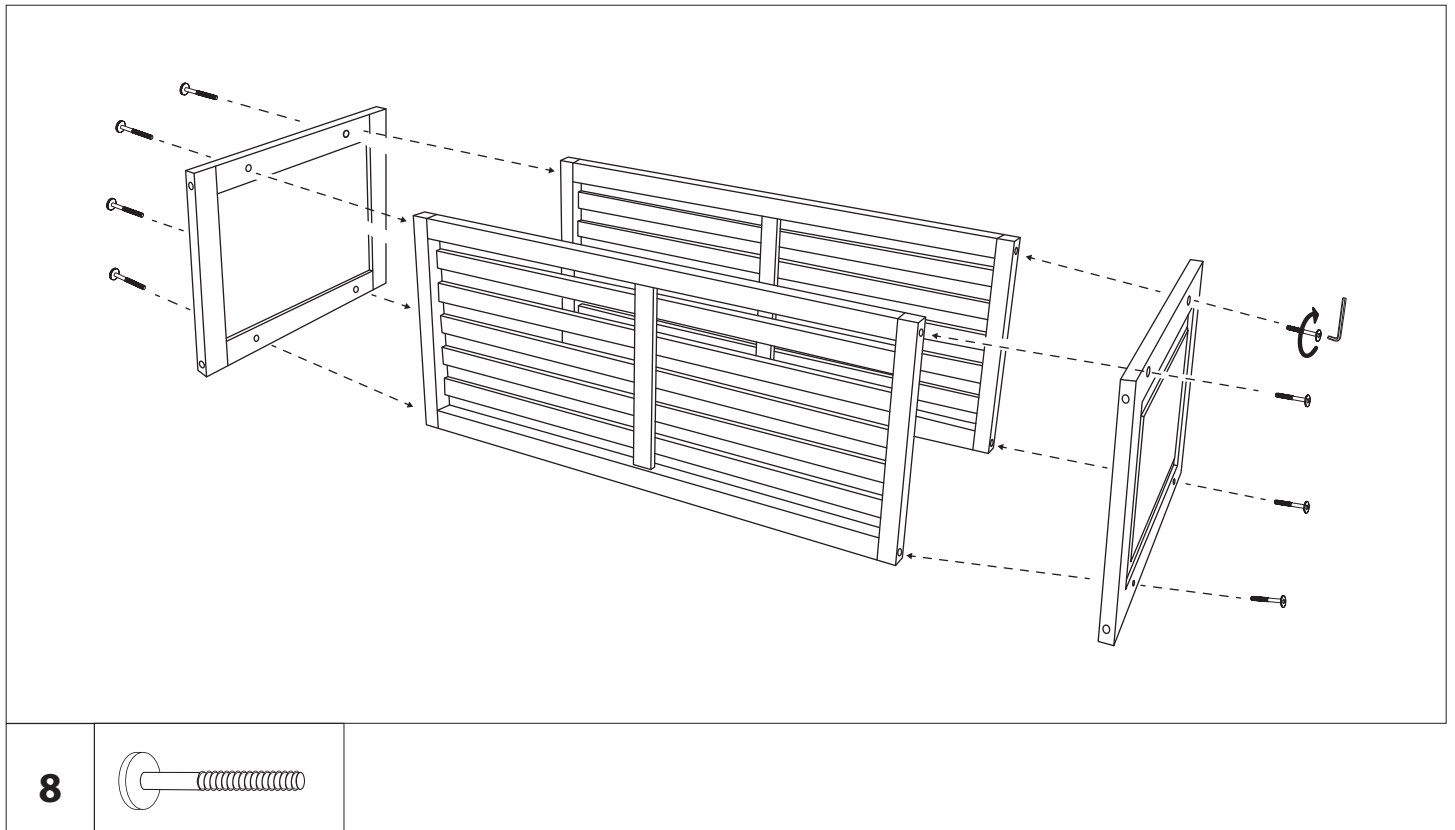
Thank you for your purchase. For any product or installation questions, damages, replacement or missing parts please contact us at:

**1.800.480.6975**

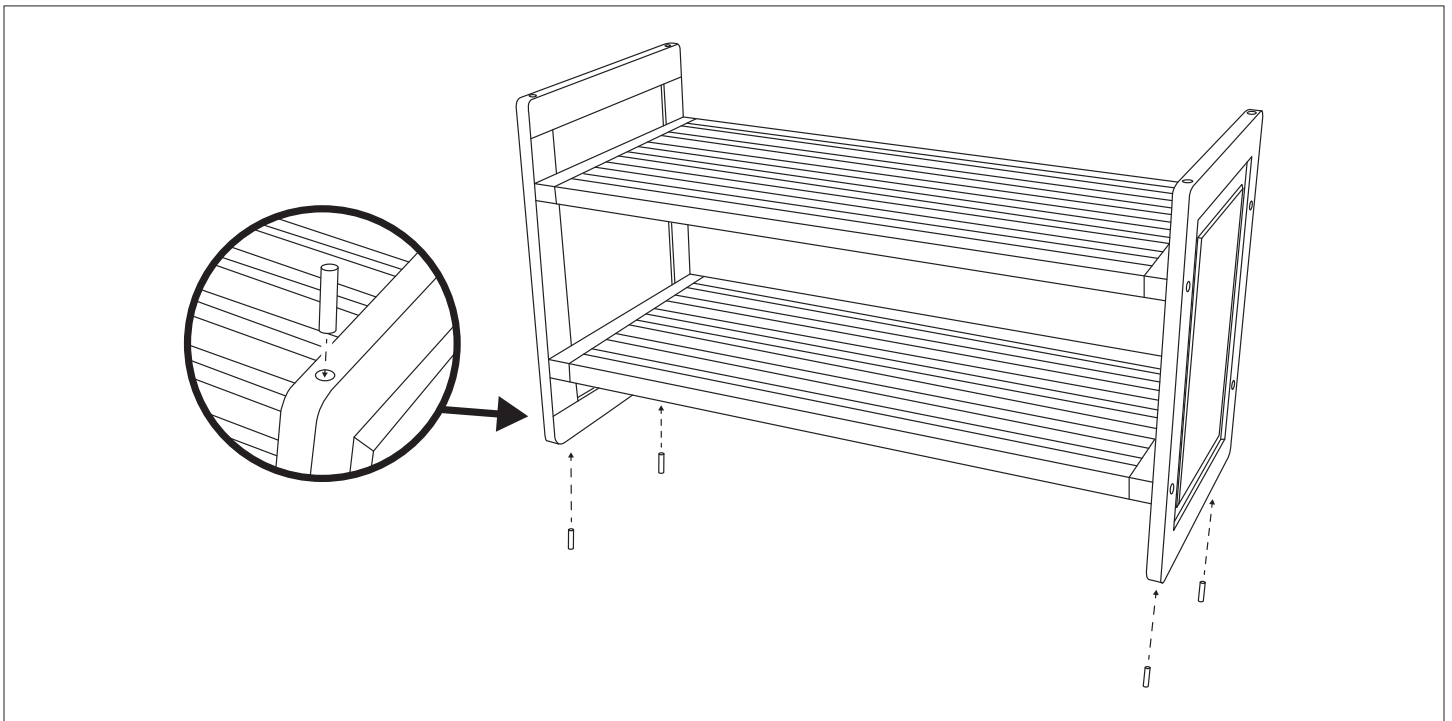
[service@johnlouishome.com](mailto:service@johnlouishome.com)

[www.johnlouishome.com](http://www.johnlouishome.com)

## Step 1



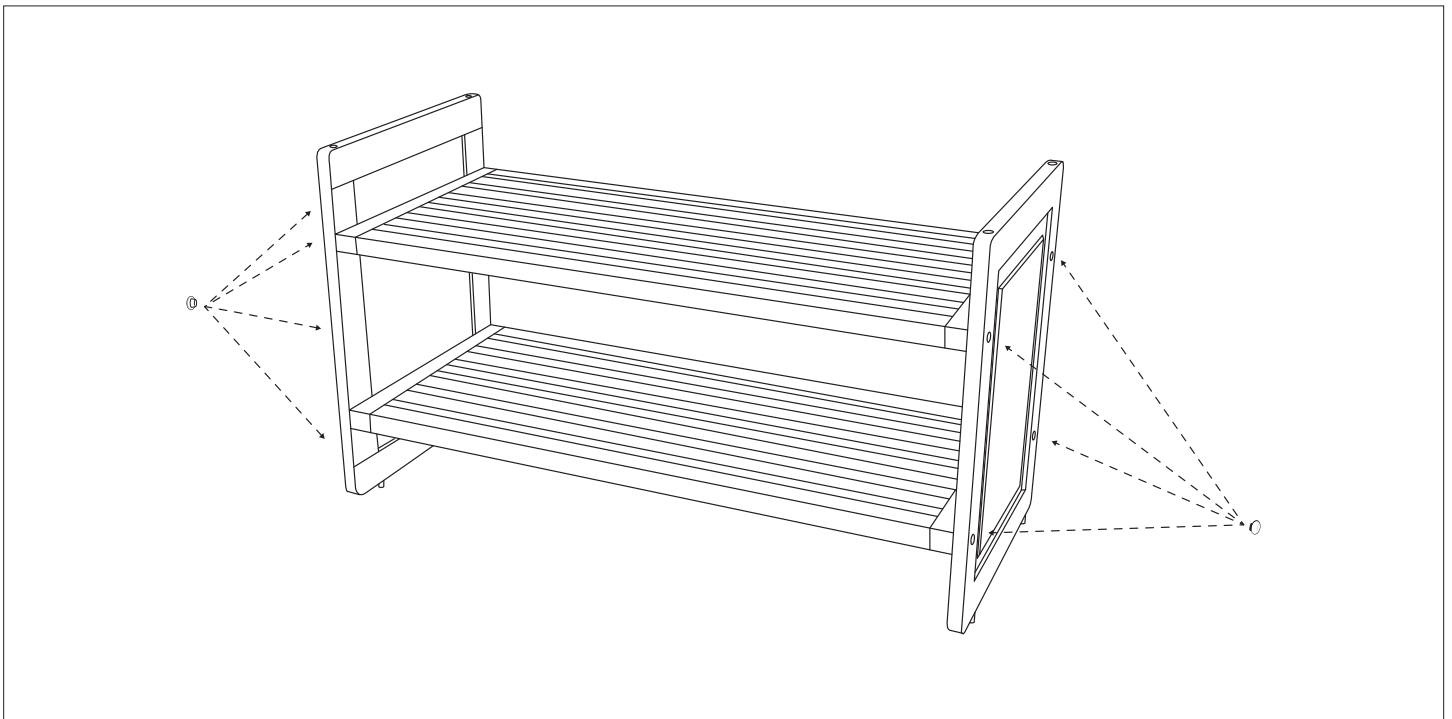
## Step 2 (Optional)



4



## Step 3



8



**Step 4 (Optional Stacking)**

