

# Installation Instructions

## 12in. Deep Standard Closet Organizer

MODEL: JLH-521, JLH-522, JLH-523, JLH-527



[www.johnlouishome.com](http://www.johnlouishome.com)

# IMPORTANT: DO NOT RETURN TO STORE!

For missing or damaged parts, technical or assembly questions,  
please call John Louis Customer Service at **1-800-480-6985**

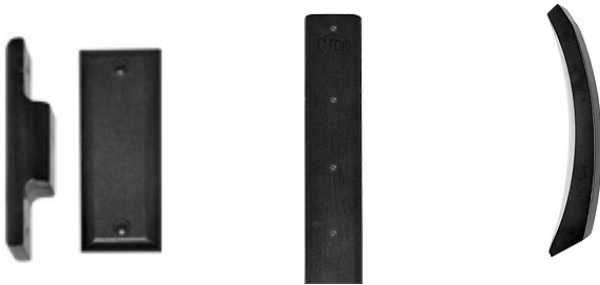
## PARTS LIST



Quantity: 3 72 in. Shelf



Quantity: 3 24 in. Shelf



Quantity: 10  
Bar Spacer

Quantity: 5  
72in. Garment Bar / Vertical  
Bar

Quantity: 4  
Angle Bracket



Quantity: 6  
Shelf End



Quantity: 32  
Shelf mounting L- Clip



Quantity: 6  
Vertical Clip



Quantity: 4 #8 3/4 in.



Quantity: 76 #8 1 1/2 in.



Quantity: 20  
#8 1 in.



Quantity: 24  
#6 3/4 in.



Quantity: 44  
#4 3/4 in.



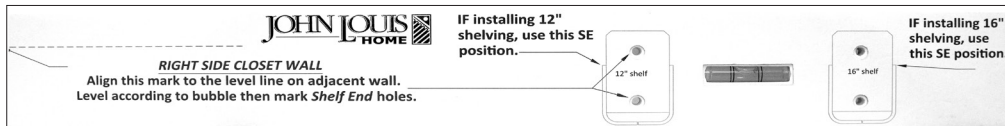
Quantity: 50 Wall Anchor



Quantity: 4 Mushroom  
Cap



Quantity: 1 Touch Up Stain Pen



Quantity: 1  
Shelf End Template

## Contact

For questions concerning missing or damaged parts, technical specs and / or assembly help, please contact John Louis Home Customer Service at: **1.800.480.6985** [service@johnlouishome.com](mailto:service@johnlouishome.com)

John Louis Home 4310 Rider Trail North Earth City, Missouri 63045 USA [www.johnlouishome.com](http://www.johnlouishome.com)

© 2012 John Louis Inc., All Rights Reserved.



## IMPORTANT - Read Before Assembly

Assembly instructions are written for 8 ft. configuration A. All assembly processes are the same for each configuration EXCEPT for the order or locations of the assembly process. Use selected configuration for shelf locations.

Shelf lengths and Garment bars may need to be cut depending upon configuration desired.

All cut shelf lengths are used in closet configurations supplied. Depending upon your closet dimensions, some cut lengths may not be usable.

**EXAMPLE:** If you choose an 8 ft. closet configuration and the width of your closet is 8 ft. 4 in., the cut shelf length will be short 4 in. for use. It is recommended that if your closet is over the selected dimension (8 ft.), then choose a configuration from the next dimension higher (10 ft.).

**EXAMPLE:** If you choose an 8 ft. closet configuration and the width of your closet is 7 ft. 6 in., some shelf lengths may need to be cut 6 in. shorter in length to fit closet dimensions.

## VERIFY SHELF MEASUREMENTS MEASURE - MARK - MEASURE AGAIN

Chosen configuration may not require use of all hardware or components supplied.

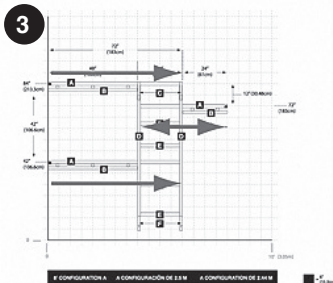
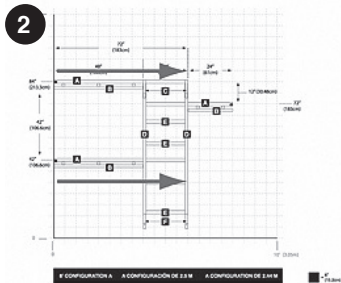
It is recommended to secure hardware into wall studs for overall strength and stability of closet system.

If choosing a custom designed configuration, modifications to the instructions provided will be necessary.

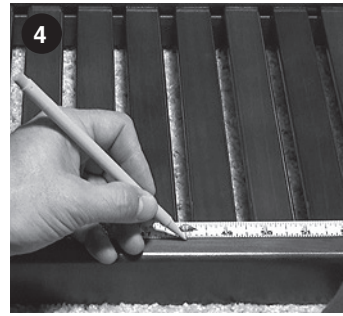
All configurations provided may be reversed.

## STEP 1 - Determining Your Dimensions

1. Locate your desired configuration (**Instructions are written for 8 ft. configuration A**).
2. Double hang shelves are created with 2 - 6 ft. shelf lengths.
3. Long hang is created by cutting a 6 ft. shelf to 4 ft. wide. (**If your closet is greater or less than 8 ft. wide you will cut your shelf greater or less that distance. EXAMPLE: Closet is 8 ft. 5 in. - cut shelf 4 ft. 5 in. EXAMPLE: Closet is 7 ft. 10 in. - cut shelf 3 ft. 8 in.**)

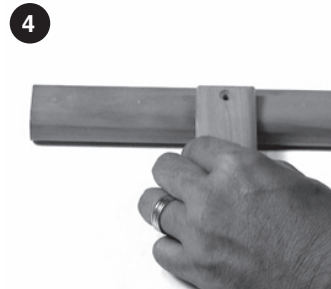
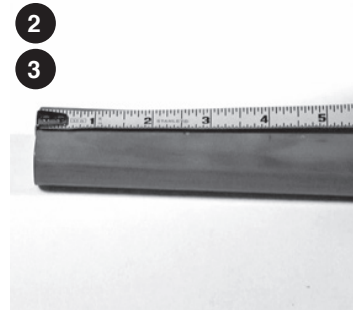
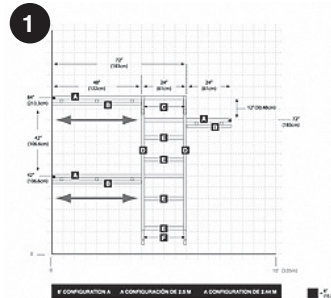


4. Measure required dimension. Mark & cut shelf.

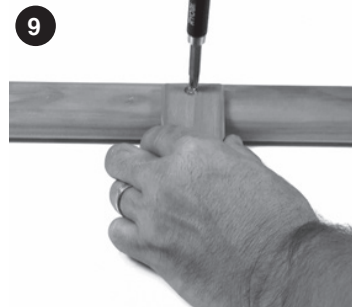
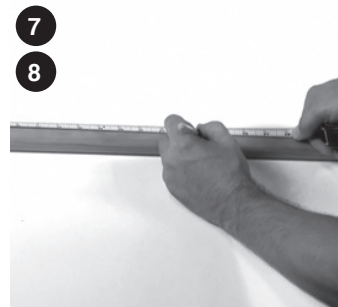


## STEP 2 - Attaching Garment Bars

1. 4 ft. garment bars are used for double hang. Cut 2 - 72in. bars to 48in. size.
2. On the pilot hole side of the bar, measure in 4 in. from the end.
3. Mark location & repeat for other end.
4. Align side of bar spacer with the mark.
5. Secure with #8 1 in. screw.
6. Repeat at each marked location.



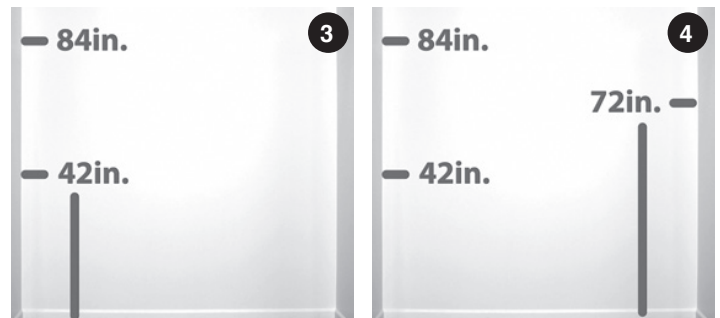
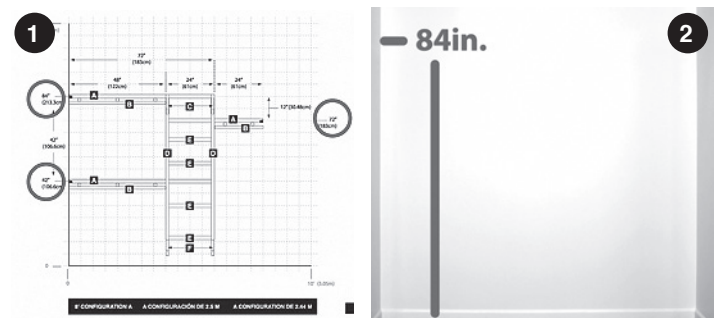
7. Find bar center & mark location.
8. Align center of bar spacer at marked location.
9. Secure with #8 1 in. screw.
10. Repeat for 2nd 4 ft. bar.



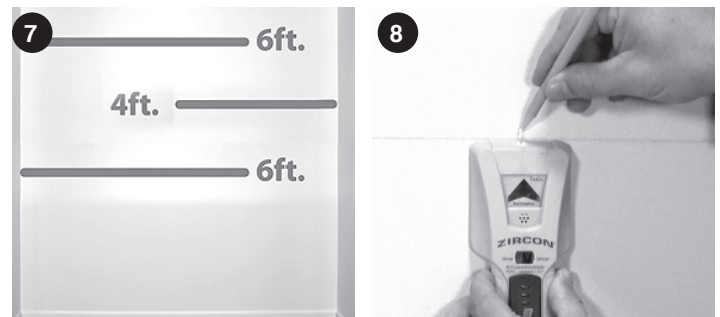
11. Select a 6ft. shelf and place notched bar spacer / bar tight on inside rail of shelf.
12. Flush bar & shelf (**SEE CONFIGURATION FOR FLUSH SIDE**).
13. Secure bar spacer to shelf rail with #8 1 in. screw.
14. Repeat at each bar spacer location and repeat for second 4ft. bar & shelf.

## STEP 3 - Marking Measurements

1. Locate the 3 main height locations for your configuration.
2. Measure up & mark the 84 in. shelf location.
3. Mark the 42 in. shelf location.
4. Mark the 72 in. shelf location.



5. Draw a 6 ft. long level line out from wall end at 84 in. location.
6. Draw a 6 ft. long level line out from wall end at 42 in. location.
7. Draw a 4 ft. long level line out from wall end at 72 in. location.
8. Locate stud locations at level lines.

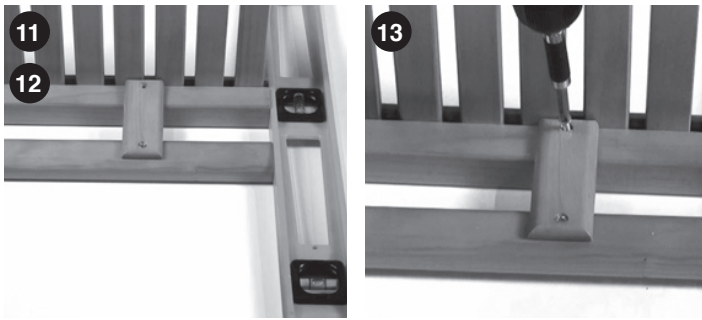


## STEP 4 - Installing Hardware On Wall

It is recommended to install hardware into wall studs. Typically 16 in. on center. Use 50 lb. wall anchors provided if no stud is present.

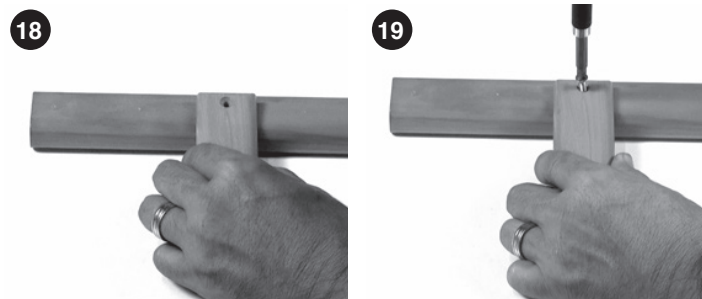
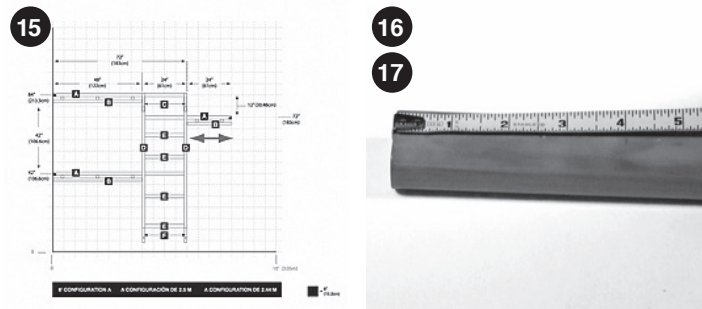
Space shelf mounting L-clip hardware equidistant in the following manner:

- 4-5 L-clip hardware per 6 ft. shelf span
- 3-4 L-clip hardware per 4 ft. shelf span
- 2 L-clip hardware per 2 ft. shelf span

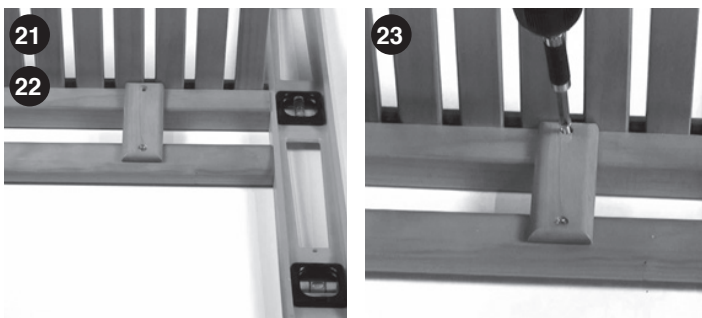


15. Long hang garment bar is cut to 2 ft. (If your closet is greater or less than 8 ft. wide you will cut your bar greater or less that distance. EXAMPLE: Closet is 8 ft. 5 in. - cut bar 2 ft. 5 in. EXAMPLE: Closet is 7 ft. 10 in. - cut bar 1 ft. 8 in.)

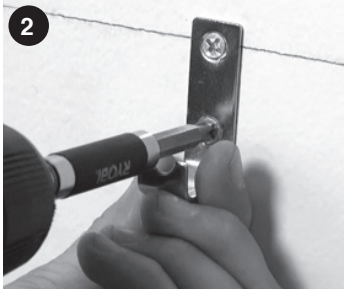
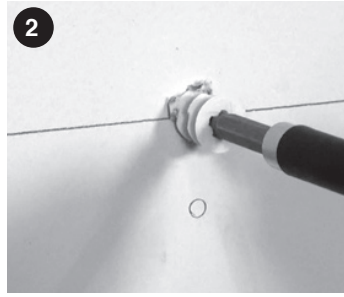
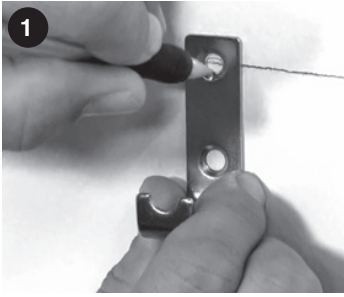
16. On the pilot hole side of the bar, measure in 4 in. from the end.
17. Mark location & repeat for other end.
18. Align side of bar spacer with the mark.
19. Secure with #8 1 in. screw.
20. Repeat at each marked location.



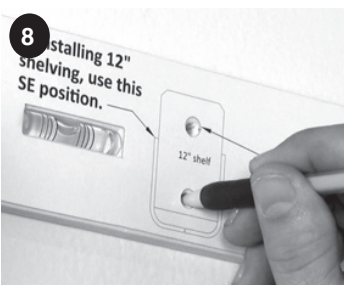
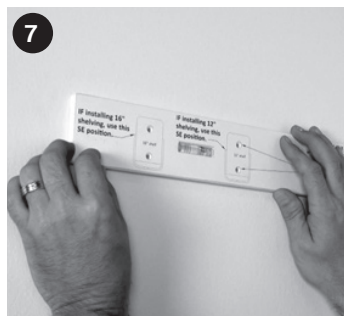
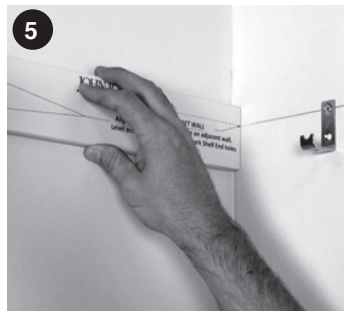
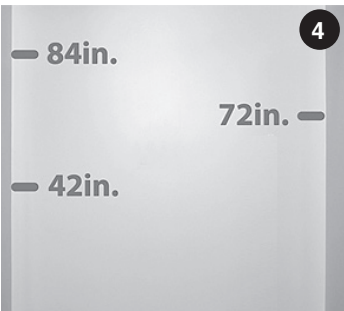
21. Select the cut 4ft. shelf and place notched bar spacer / bar tight on inside rail of shelf.
22. Flush bar & shelf (SEE CONFIGURATION FOR FLUSH SIDE).
23. Secure bar spacer to shelf rail with #8 1 in. screw.
24. Repeat at each bar spacer location.



1. Center the top screw hole of the shelf mounting L-clip hardware with the level line & mark all hole locations.
2. Secure L-clip to wall using #8 1 1/2 in. screws at hole locations (Use wall anchors provided if no stud is present).
3. Repeat for all L-clips & repeat at all shelf height locations.



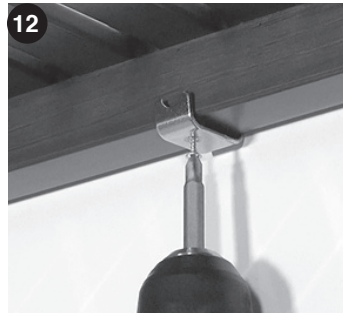
4. The shelf end hardware will be used at the side wall position of each main shelf.
5. Position shelf end template onto side wall.
6. Align template line with adjacent wall line.
7. Level template.
8. Mark required Shelf End position for required depth (12in. or 16in. depth).



9. Secure Shelf End using #8 - 1 1/2in. screws (use wall anchor if no stud is present)
10. Repeat for second and third shelf locations.

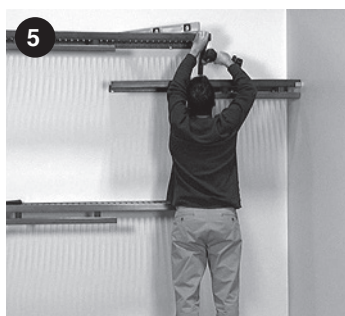
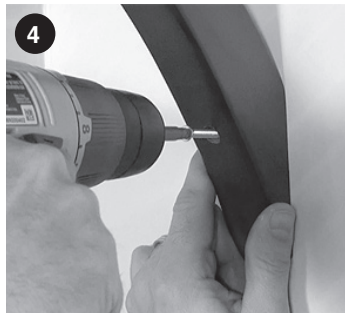
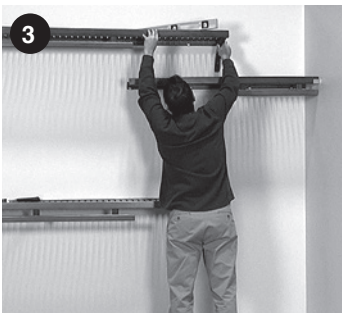


11. Place shelf into shelf end hardware & onto L-clip hardware.
12. Secure shelf to hardware using #4 3/4 in. screws at all hardware locations.
13. Repeat for all remaining main shelf locations.

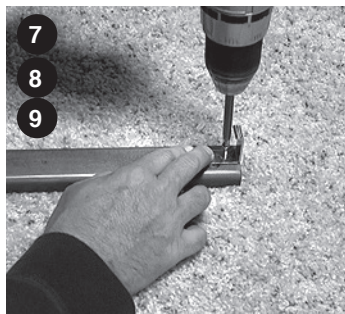
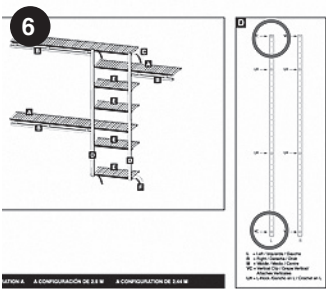


## STEP 6 - Installing Vertical Support Bars

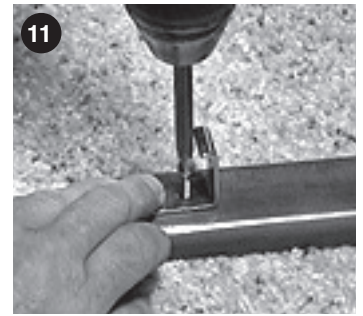
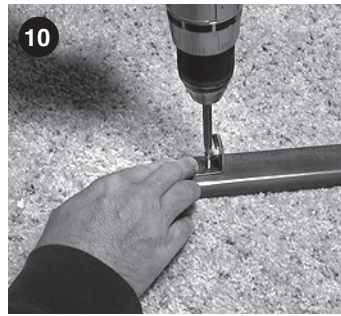
1. Select an angle bracket & insert a #8 3 in. screw into hole location.
2. Position angle bracket under the top shelf at the open end.
3. Place level on shelf & use angle bracket position to level shelf end (Ensure the bracket is square with shelf underside & back wall).
4. Mark hole location by driving screw into drywall.
5. Secure bracket using #8 3 in. screw (Use anchor if no stud is present).



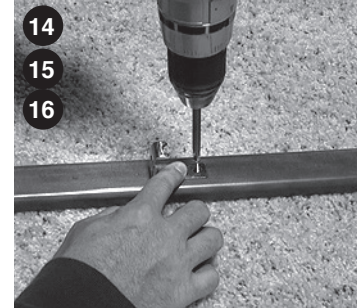
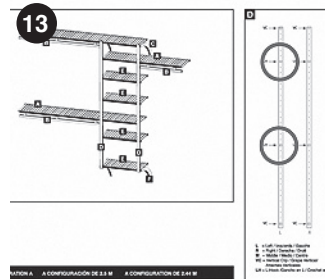
6. Locate the vertical bar guide in your configuration guide.
7. Vertical clip hardware is placed at the top & bottom of the bar.
8. Position the top screw hole of the vertical clip with the top pilot hole on bar.
9. Secure to bar using #6 3/4 in. screw.



10. Position the top screw hole of the vertical clip with the bottom pilot hole on bar.
11. Secure to bar using #6 3/4 in. screw.
12. Repeat for 2nd vertical bar.



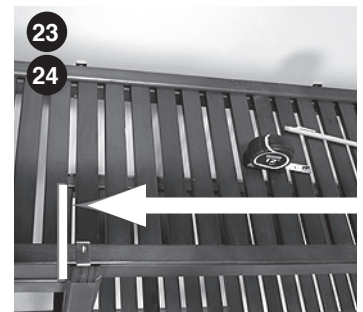
13. Locate the L-clip hardware positions in the vertical bar guide.
14. Align the top screw hole on the L-clip hardware with the pilot position.
15. Secure to the bar using #6 3/4 in. screw.
16. Repeat for additional L-clip locations - repeat for 2nd vertical bar.



17. Place a vertical bar at the end of the top shelf.
18. Position front shelf rails into L-clip locations (All shelves should align into L clips on vertical bars).
19. Flush bar side with end of shelf.
20. Position 2nd vertical bar and align at end of 4 ft. shelf.
21. Position front rails into L-clip locations (All shelves should align into L clips on vertical bars).



22. Secure Vertical clip to top shelf using #4 3/4 in. screw.
23. Measure across 24 in. & mark shelf rail.
24. Align bar side with mark & secure clip with #4 3/4 in. screw.

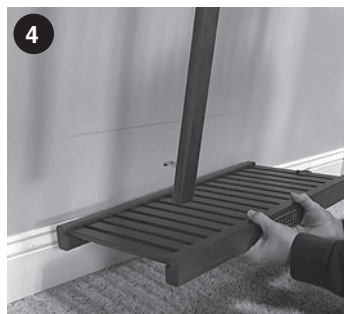


25. Plumb vertical bar.
26. Secure shelves using #4 3/4 in. screws at all hardware locations.
27. Repeat for 2nd vertical bar.
28. All shelves should be level & bars plumb.

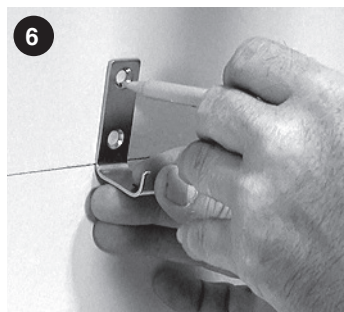
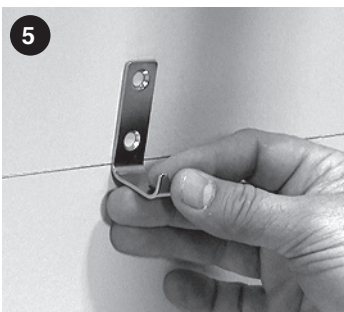


## STEP 7 - Installing Bottom Shelf

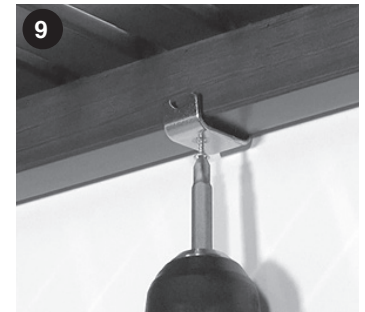
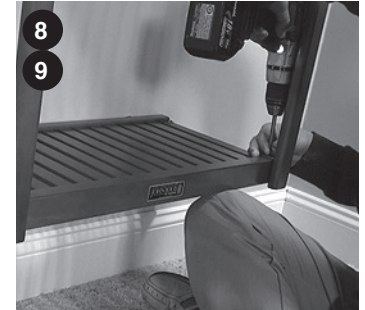
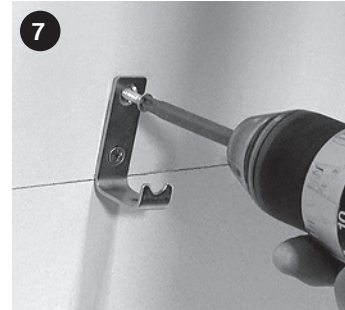
1. Insert bottom shelf (logo shelf) into vertical clips.
2. Hold in position & level shelf front to back
3. Draw a level line on wall at bottom of shelf rail.
4. Remove bottom shelf.



5. Line inside bottom of L-clip hardware with level line.
6. Mark hole locations.

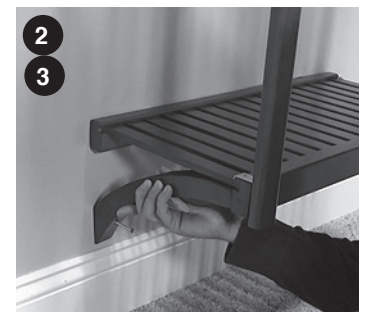


7. Secure using #8 1 1/2 in. screws (use wall anchors if no stud is present).
8. Place bottom shelf into clips.
9. Secure shelf to hardware using #4 3/4 in. screws.



## STEP 8 - Installing Angle Brackets

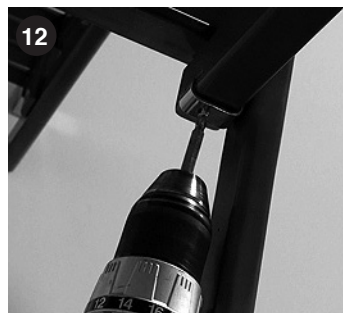
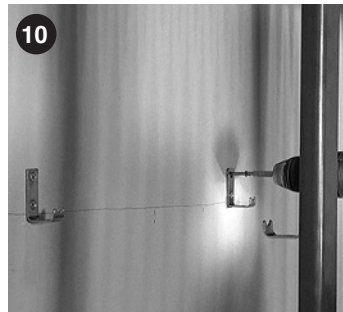
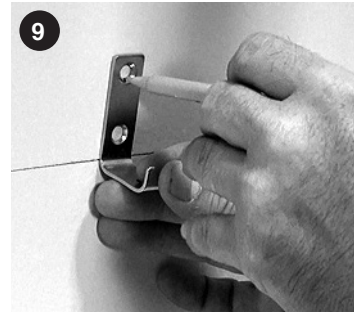
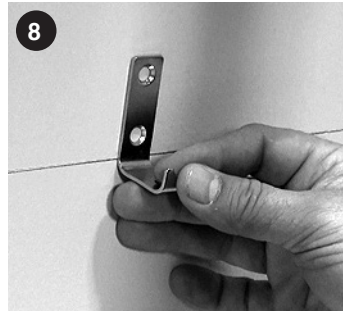
1. Place angle bracket under shelf & flush with end.
2. Ensure the bracket is square with the shelf underside & back wall.
3. If no stud is present, mark hole location by driving #8 3 in. screw into drywall.
4. Install wall anchor if no stud is present.
5. Secure bracket using #8 3 in. screw
6. Repeat for other side of bottom shelf.



- Align bracket under 2nd vertical support at top shelf.
- Repeat angle bracket installation steps.



- Line inside bottom of L-clip hardware with level line.
- Mark hole locations.
- Secure using #8 1 1/2 in. screws (use wall anchors if no stud is present).
- Place shelf into clips.
- Secure shelf to hardware using #4 3/4 in. screws.
- Repeat for all desired shelf locations.

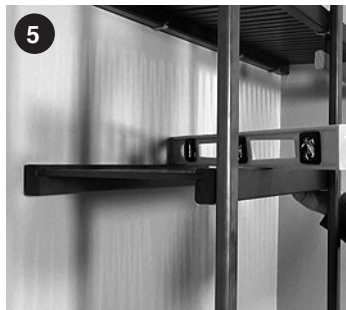
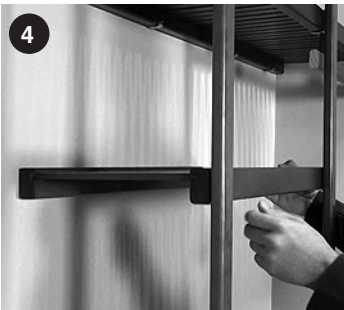


## STEP 9 - Installing 24in. Shelves

- Select desired location on vertical support bar for shelf.
- Secure L-clip to vertical support bar using #6 3/4 in. screw.
- Repeat for same location on 2nd vertical support bar.



- Place 2 ft. shelf onto L-clip.
- Hold in position & level shelf front to back
- Draw a level line on wall at bottom of shelf rail.
- Remove shelf.





## STEP 10 - Extra Shelves

Put your excess cuts back into your closet. Any material greater than 24 in. wide can be used as an additional shelf.

Cut excess lengths to 24 in. wide to use as shelves & place where ever you choose.

In an 8 ft. closet configuration your 4 ft. of excess shelving can create 2 additional shelves.

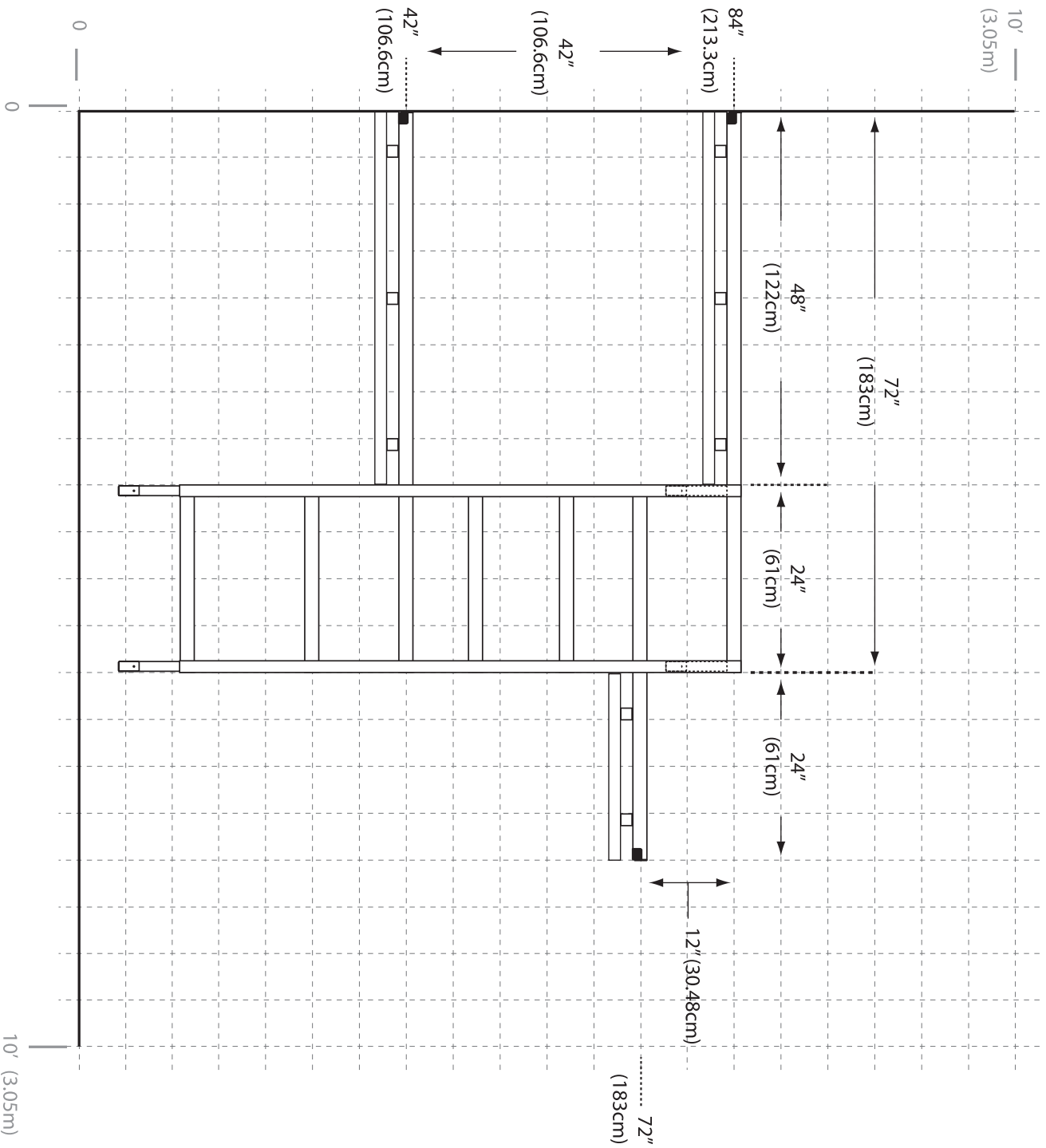
Measure, mark and cut your excess shelf. Repeat the same installation process for the type of shelf you are creating.



## STEP 11 - Final Touches

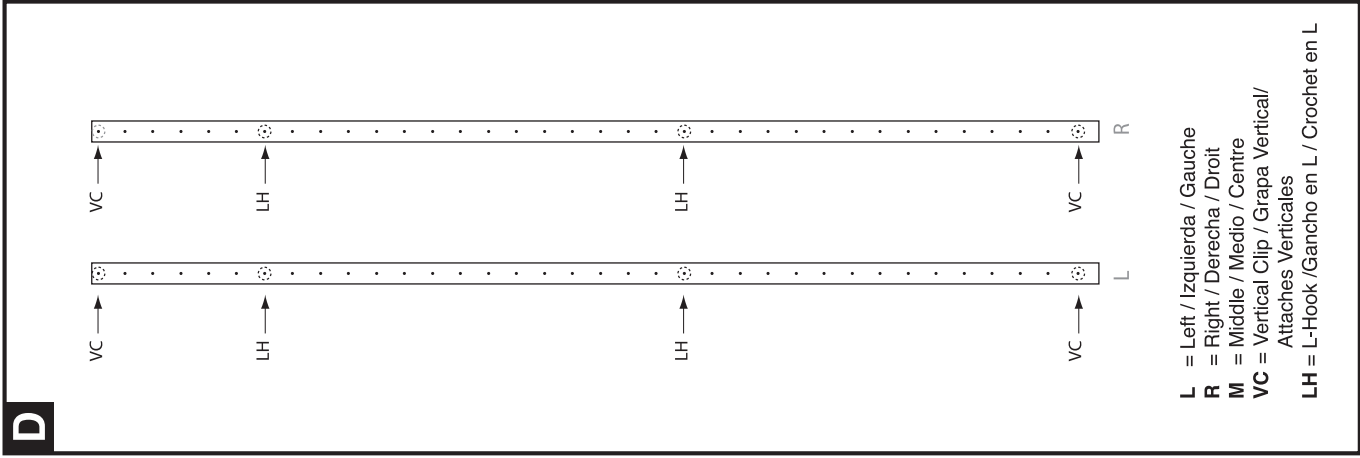
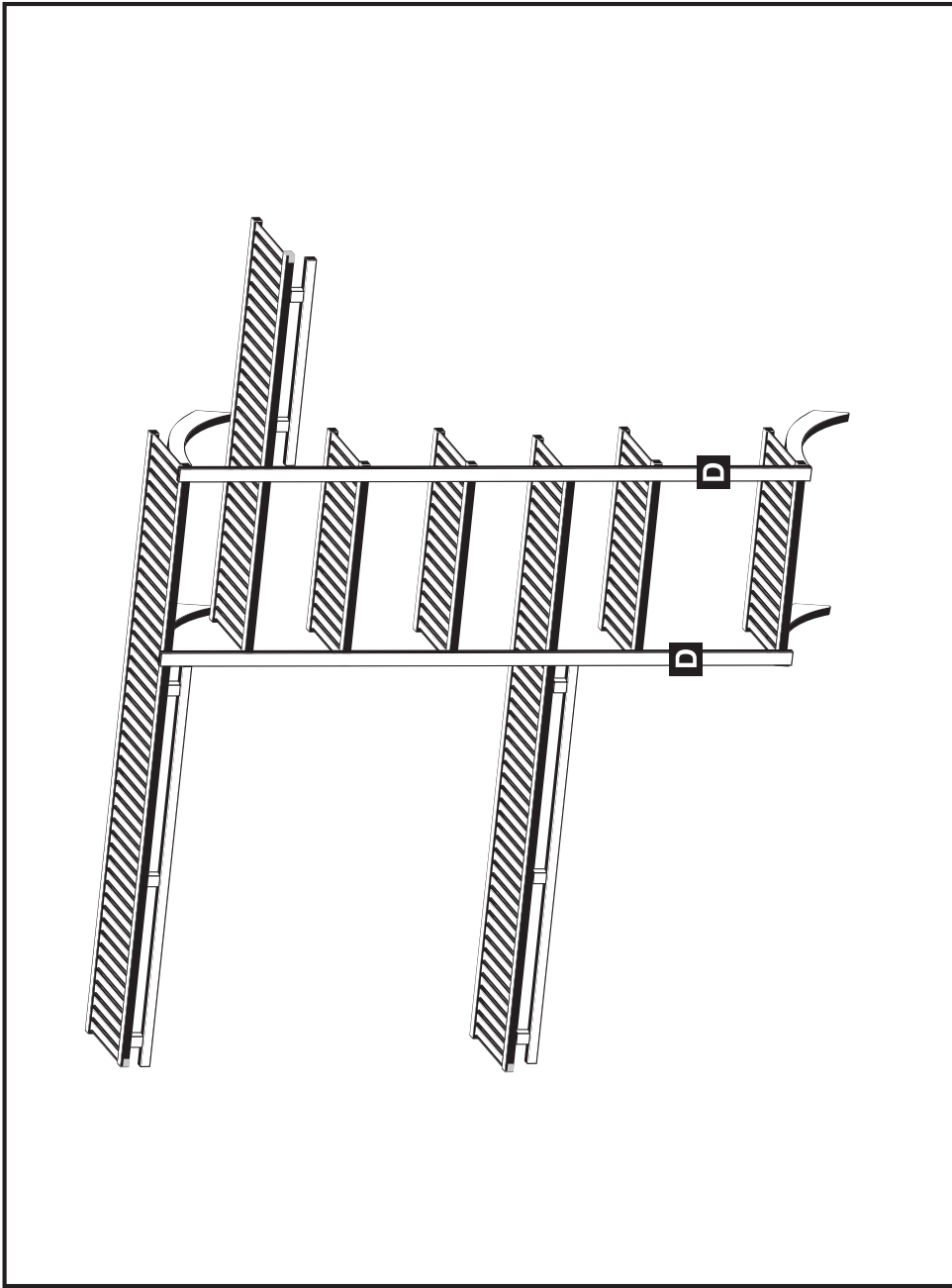
1. Insert mushroom caps into all angle brackets.
2. Touch up scratches & cut ends with stain pen provided.





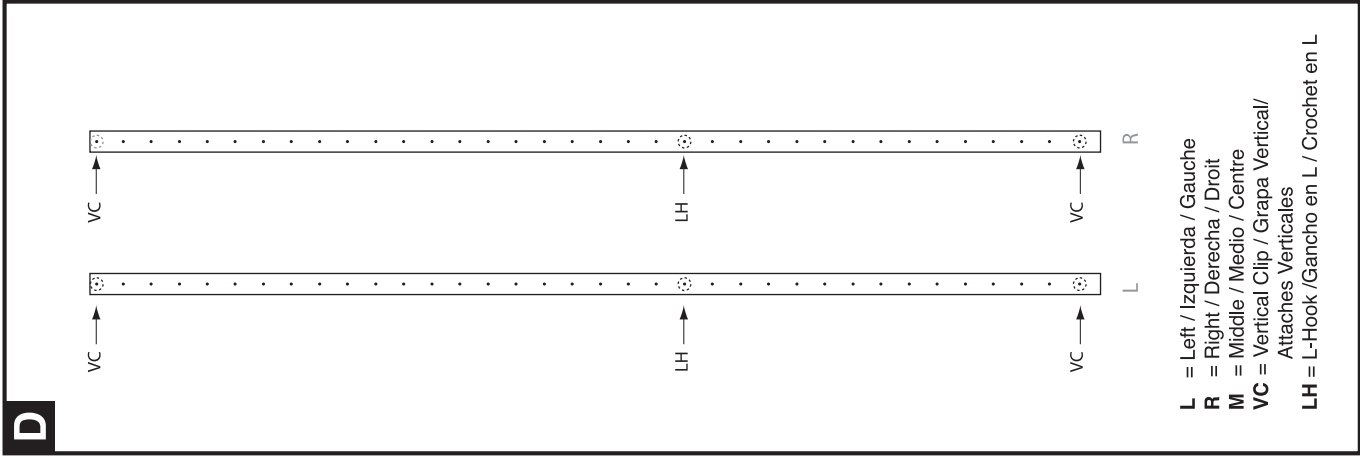
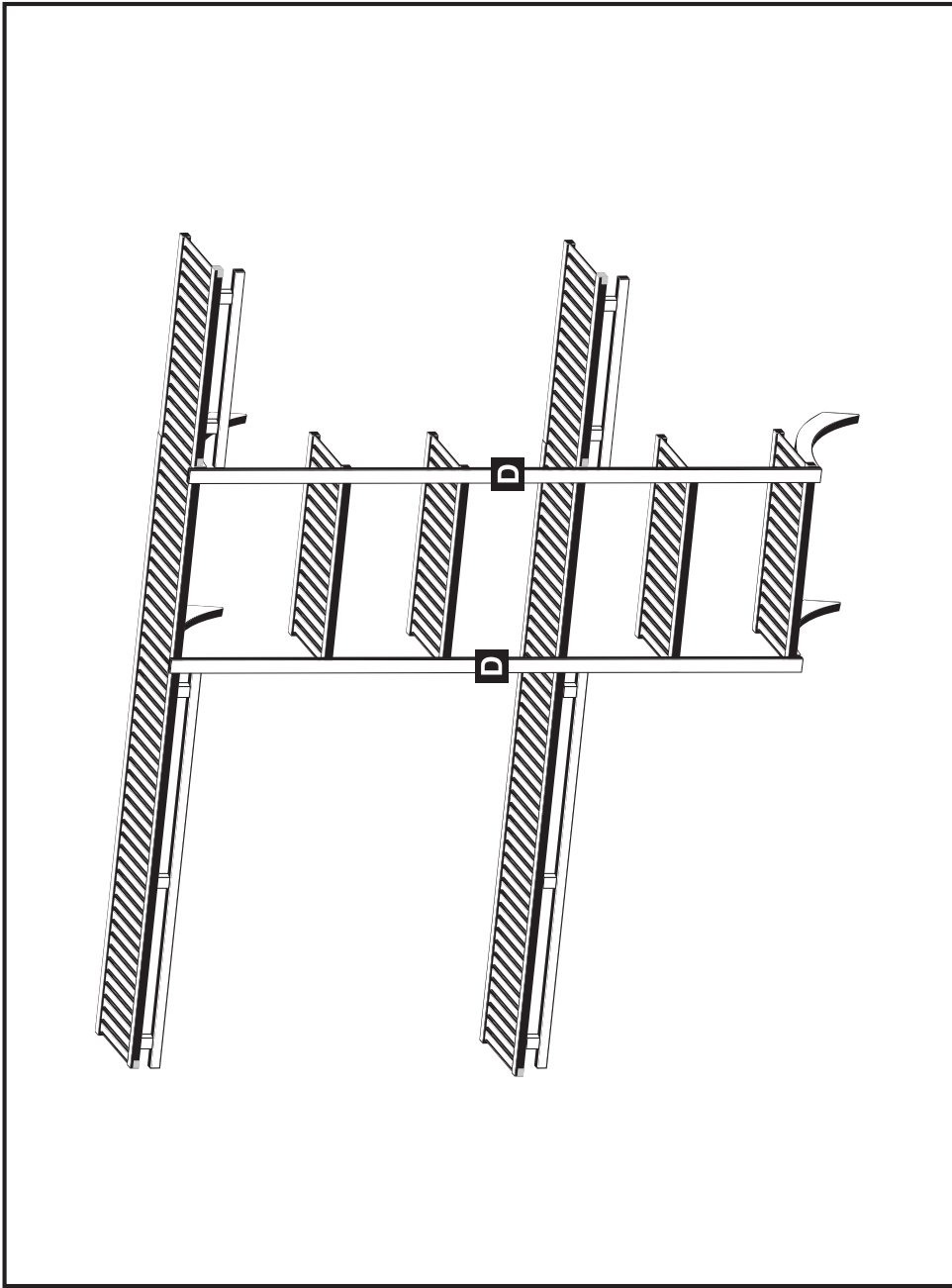
8' CONFIGURATION A A CONFIGURACIÓN DE 2.5 M A CONFIGURATION DE 2.44 M

6" = 15.2cm

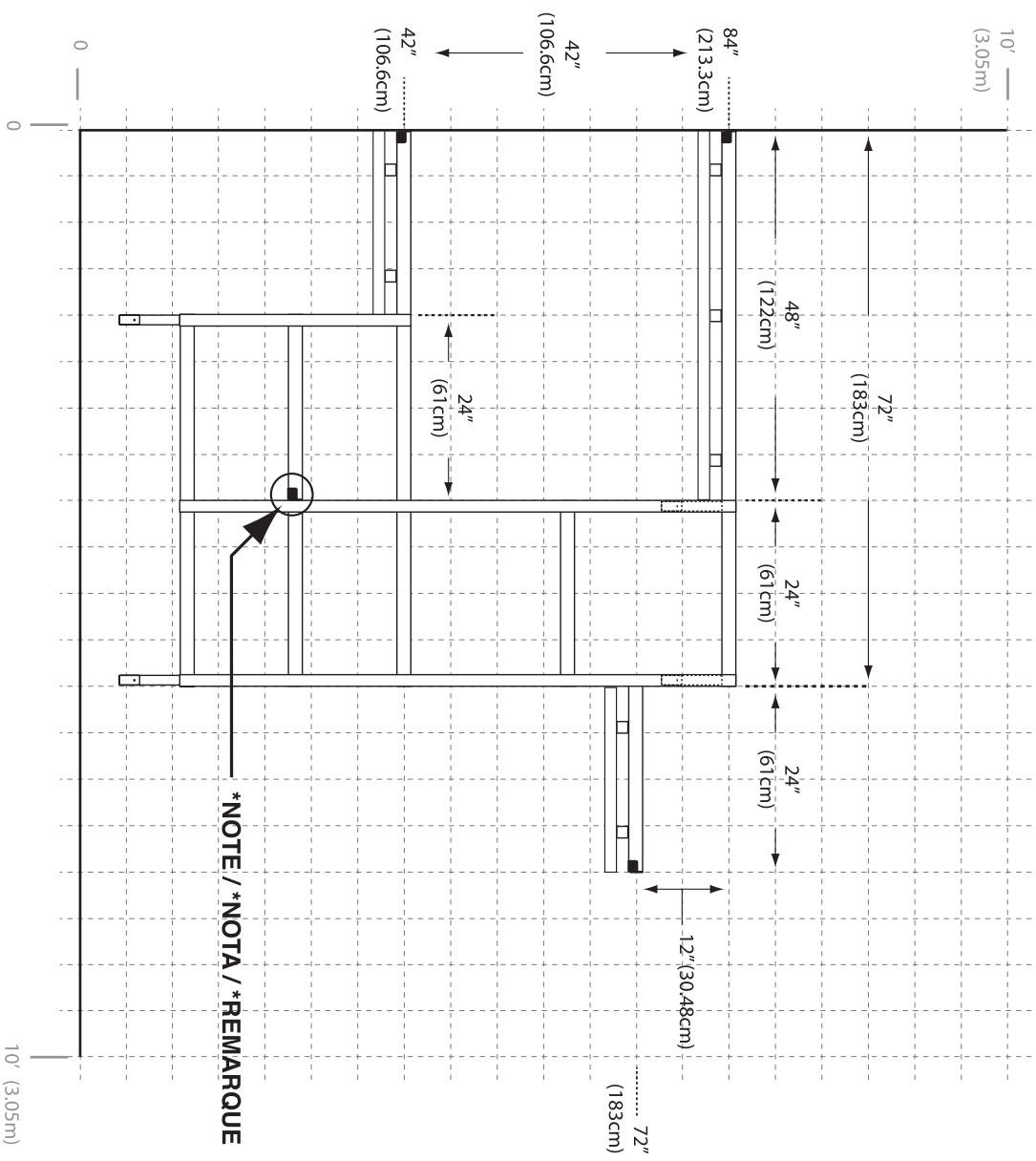


**8' CONFIGURATION A A CONFIGURACIÓN DE 2.5 M A CONFIGURATION DE 2.44 M**





**8' CONFIGURATION B B CONFIGURACIÓN DE 2.5 M B CONFIGURATION DE 2.44 M**



**\*NOTE / \*NOTA / \*REMARQUE**

**\*NOTE / \*NOTA / \*EMARQUE**

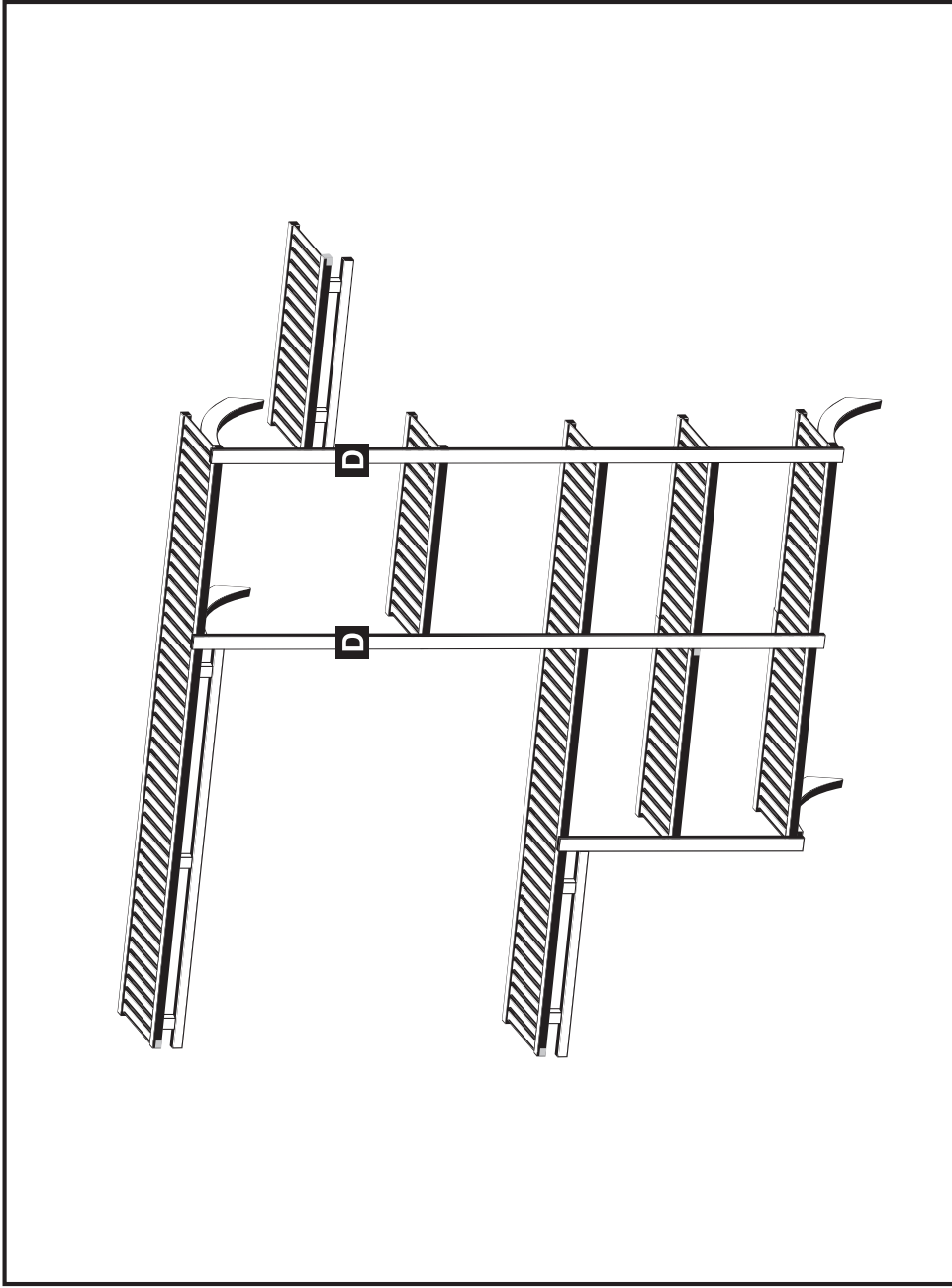
Configuration requires shelves to be connected together using Shelf End Bracket and #6 3/4" screws. It is recommended to drill the holes before assembly.

Esta configuración requiere que los estantes se conecten usando la mensula de tope de estante y tornillos N° 6 de 3/4 de pulg. Se recomienda hacer perforaciones antes de ensamblar.

La configuration exige que les tablettes soient connectées au moyen du support d'extrémité de tablette et des vis no 6 de 3/4 pouce. Il est recommandé de forer les trous avant l'assemblage.

8' CONFIGURATION C    C CONFIGURACIÓN DE 2.5 M    C CONFIGURATION DE 2.44 M

6" = 15.2cm



**NOTE**  
**NOTA**  
**REMARQUE**

No Pilot Hole for Vertical Clip attachment available. It is recommended to drill hole before assembly.

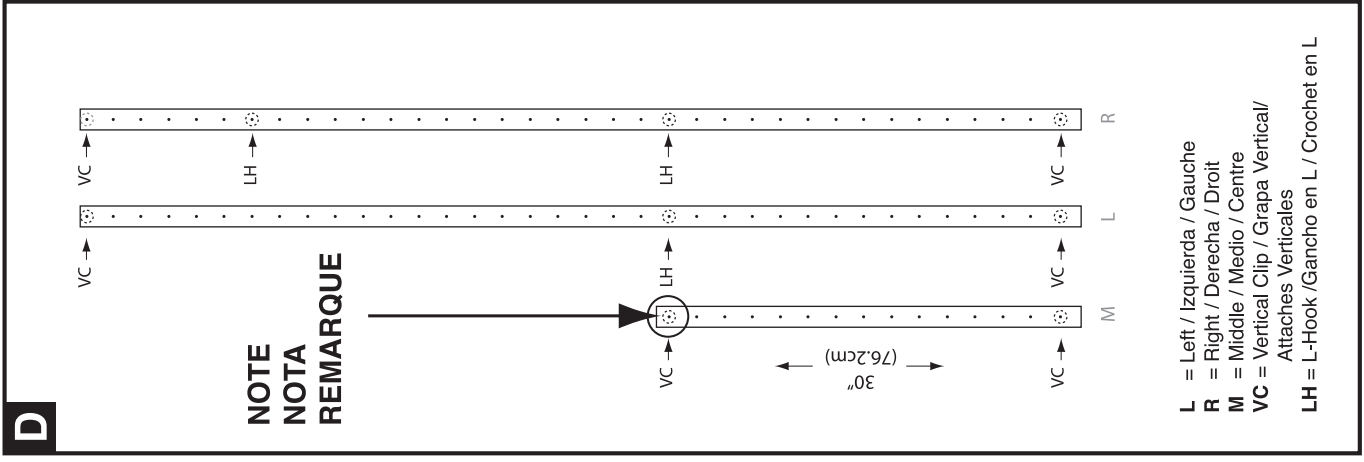
No se encuentra disponible orificio guía para la fijación de la grapa vertical. Se recomienda hacer una perforación antes de ensamblar.

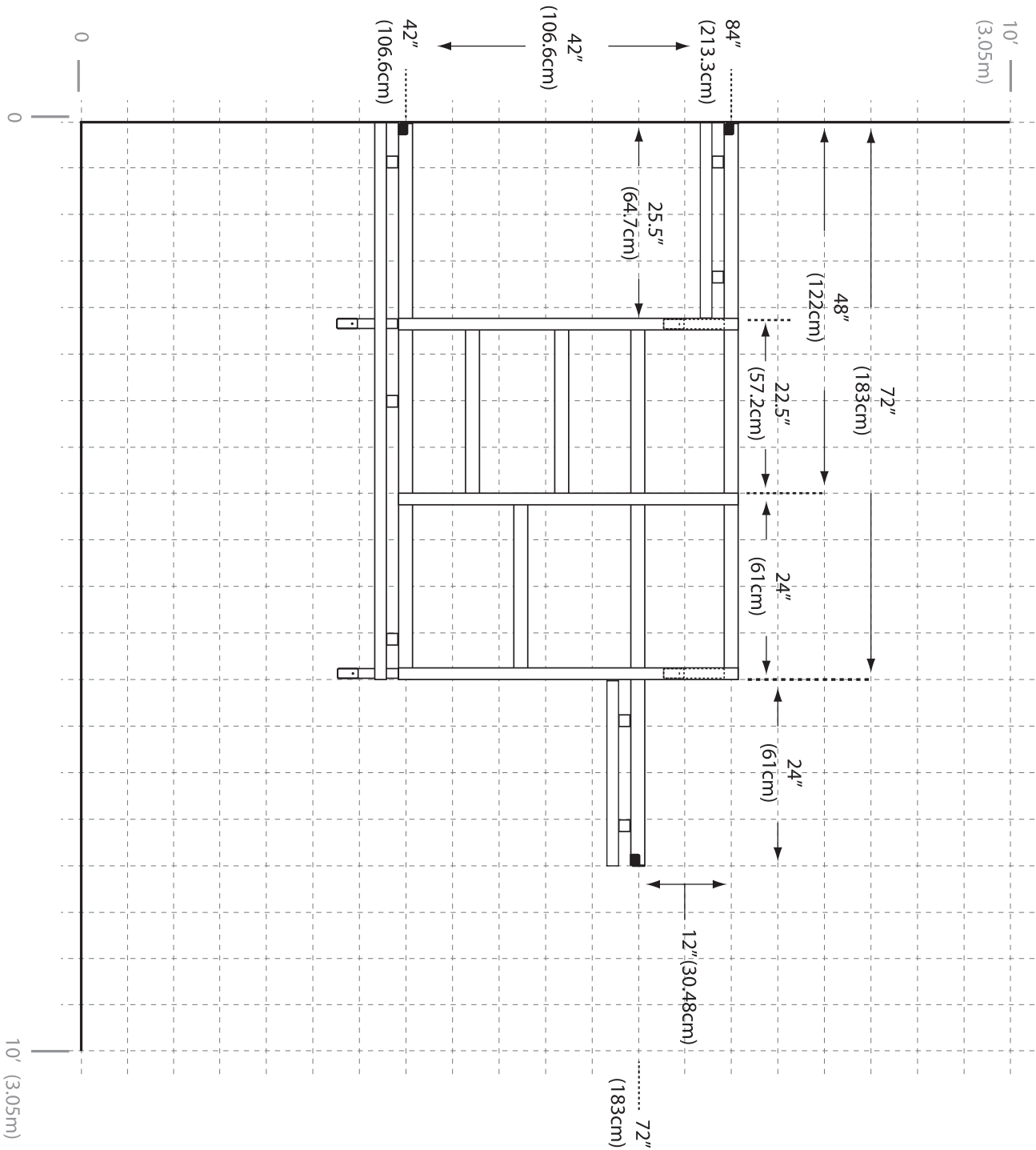
Il n'y a pas d'avant-trou pour l'attache verticale. Il est recommandé de forer un trou avant l'assemblage.

**8' CONFIGURATION C**

**C CONFIGURACIÓN DE 2.5 M**

**C CONFIGURATION DE 2.44 M**





8' CONFIGURATION D

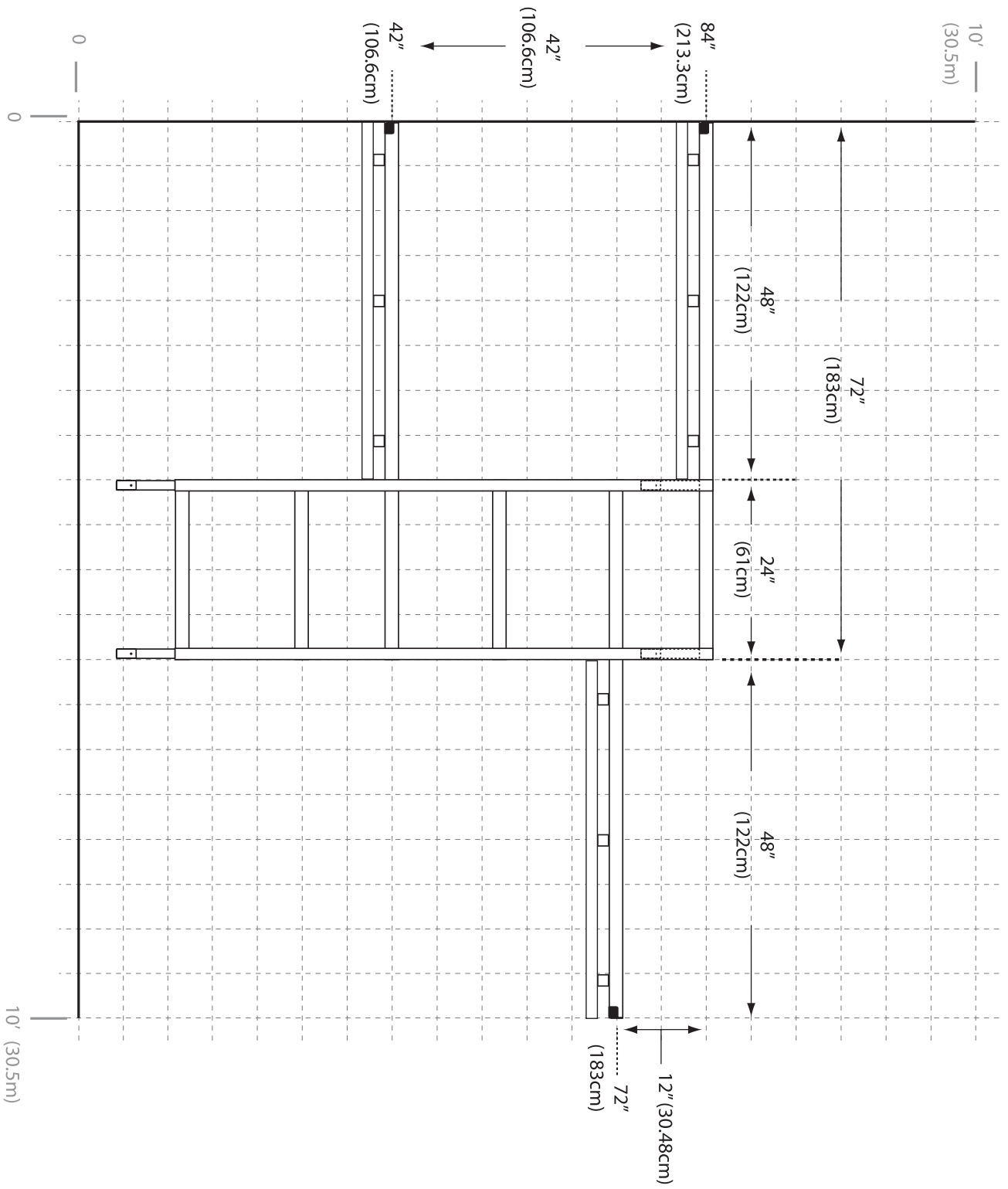
D CONFIGURACIÓN DE 2.5 M

D CONFIGURATION DE 2.44 M

6" (15.2cm)





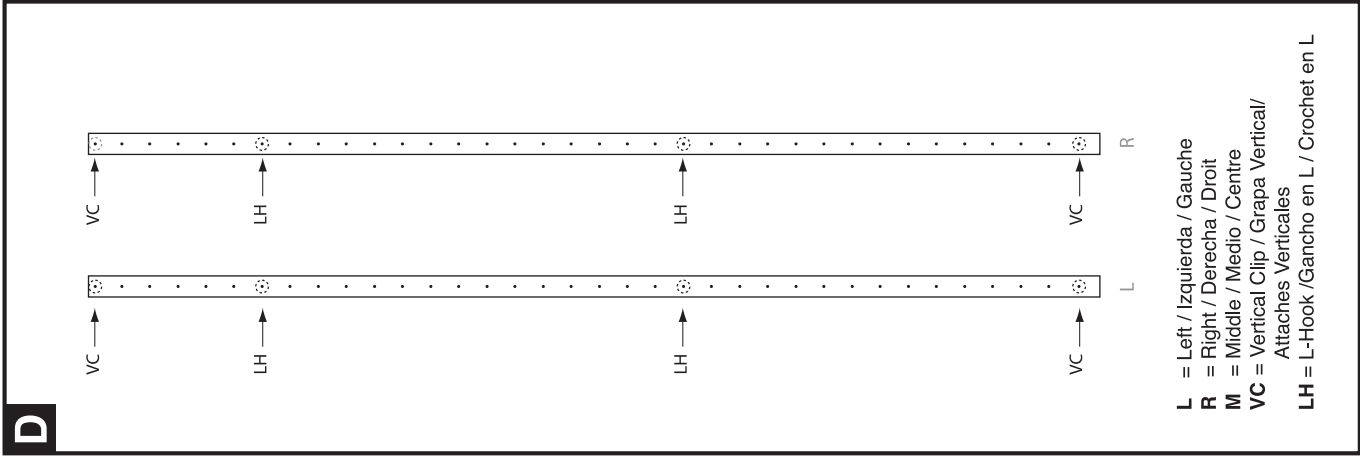
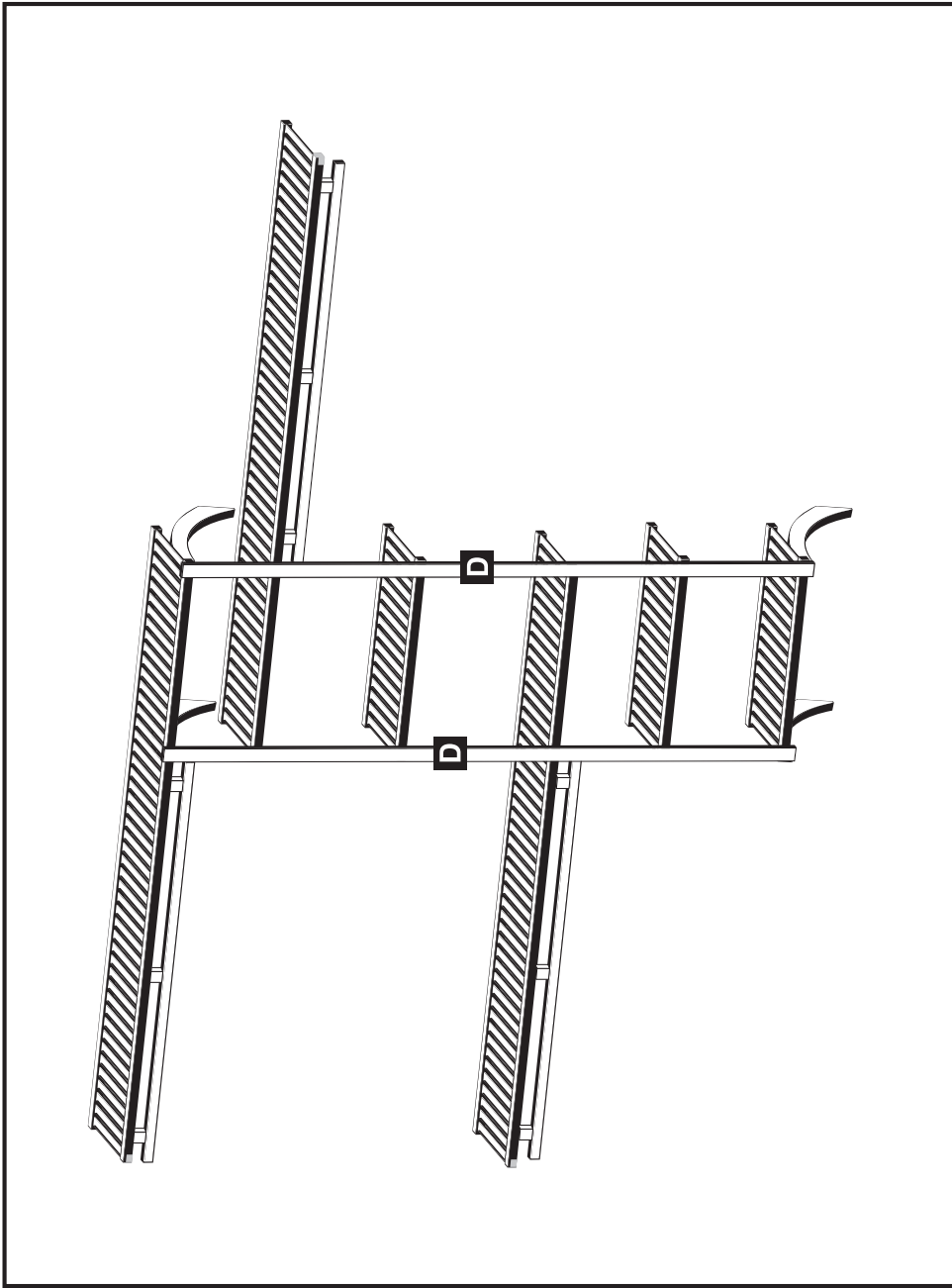


10' CONFIGURATION A

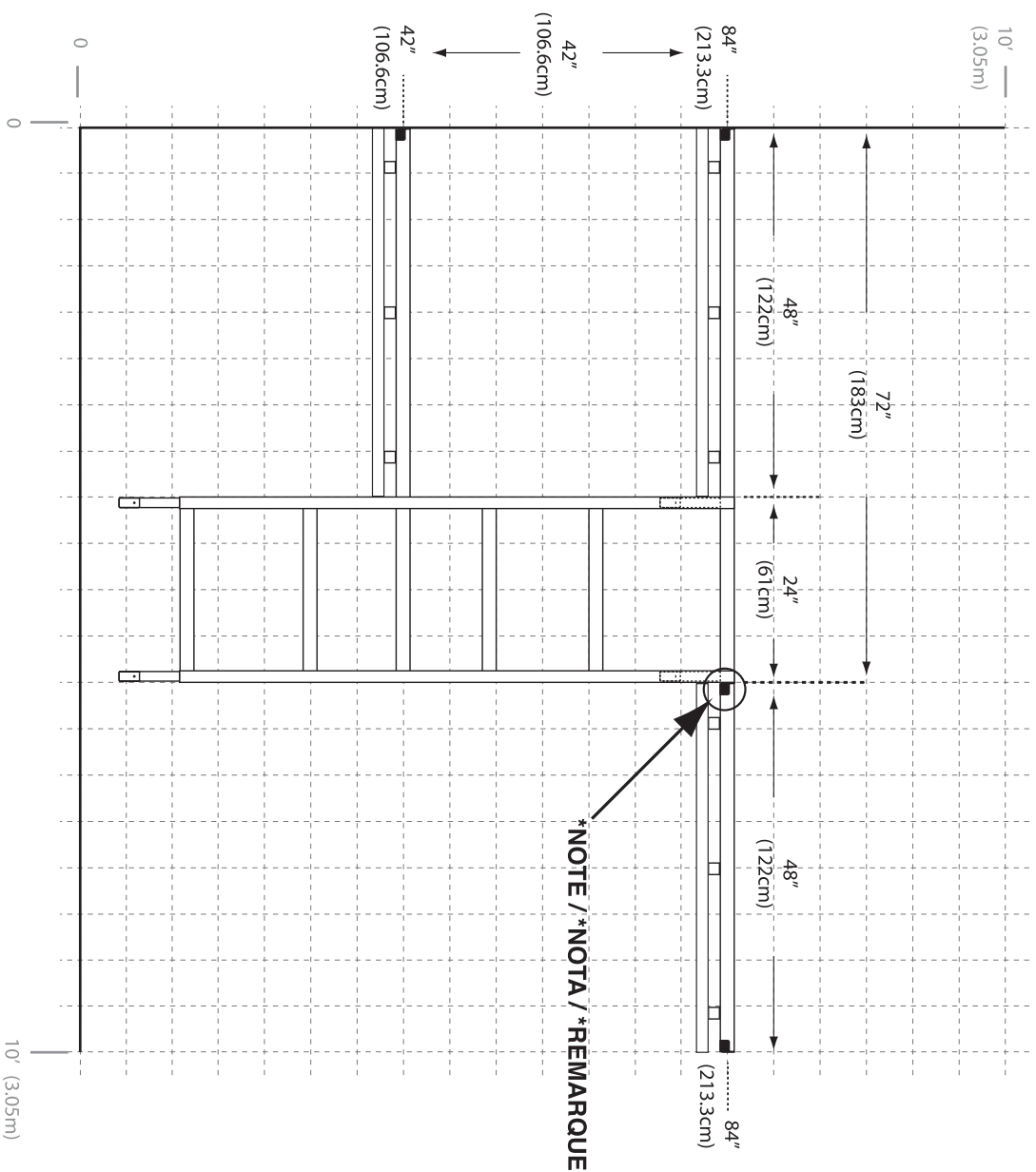
A CONFIGURACIÓN DE 3.05 M

A CONFIGURATION DE 3 M

6" (15.2cm)



10' CONFIGURATION A    A CONFIGURACIÓN DE 3.05 M    A CONFIGURATION DE 3 M



**\*NOTE / \*NOTA / \*REMARQUE**

**\*NOTE / \*NOTA / \*REMARQUE**

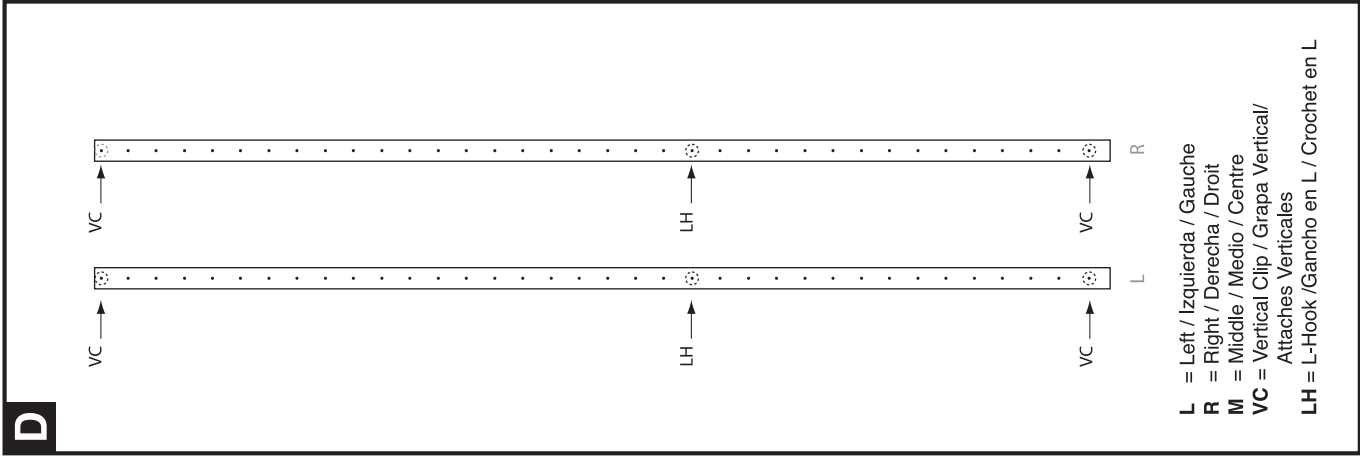
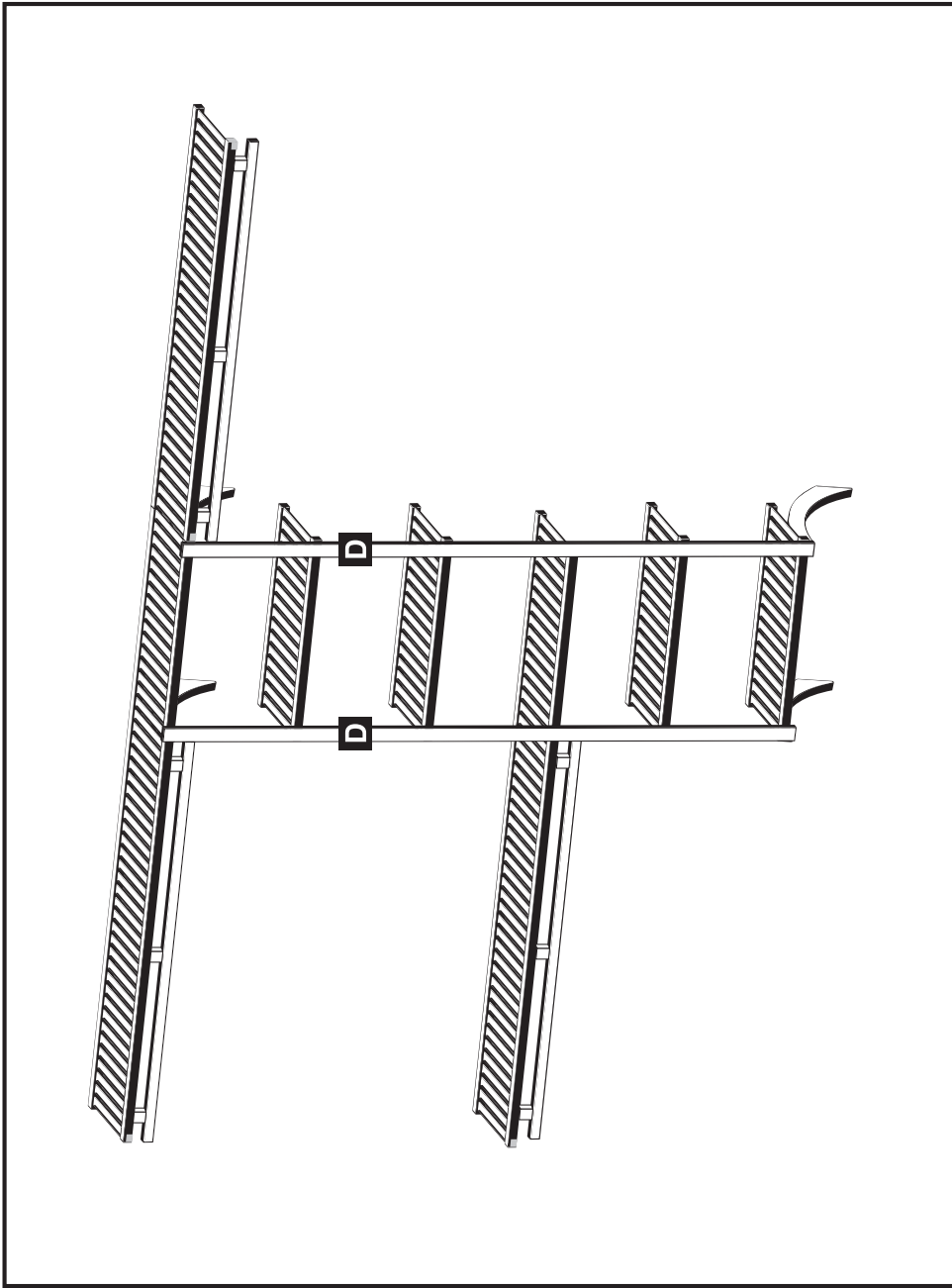
Configuration requires the top shelves to be connected together using Shelf End Bracket and #6 3/4" screws. It is recommended to drill the holes before assembly.

Esta configuración requiere que los estantes se conecten usando la mensula de tope de estante y tornillos N° 6 de 3/4 de pulg. Se recomienda hacer perforaciones antes de ensamblar.

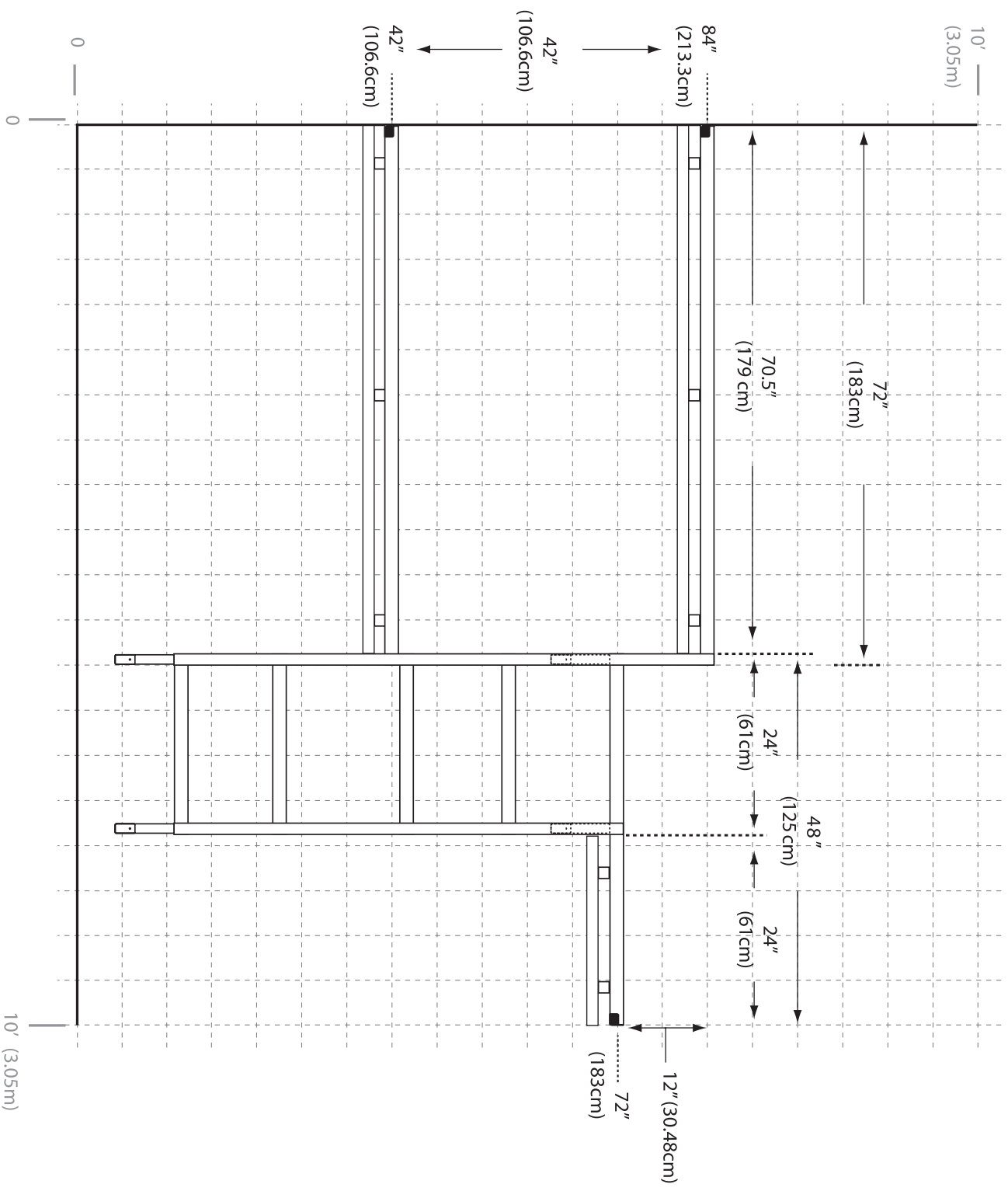
La configuration exige que les tablettes soient connectées au moyen du support d'extrémité de tablette et des vis no 6 de 3/4 pouce. Il est recommandé de forer les trous avant l'assemblage.

10' CONFIGURATION B    B CONFIGURACIÓN DE 3.05 M    B CONFIGURATION DE 3 M

6" = 15.2cm

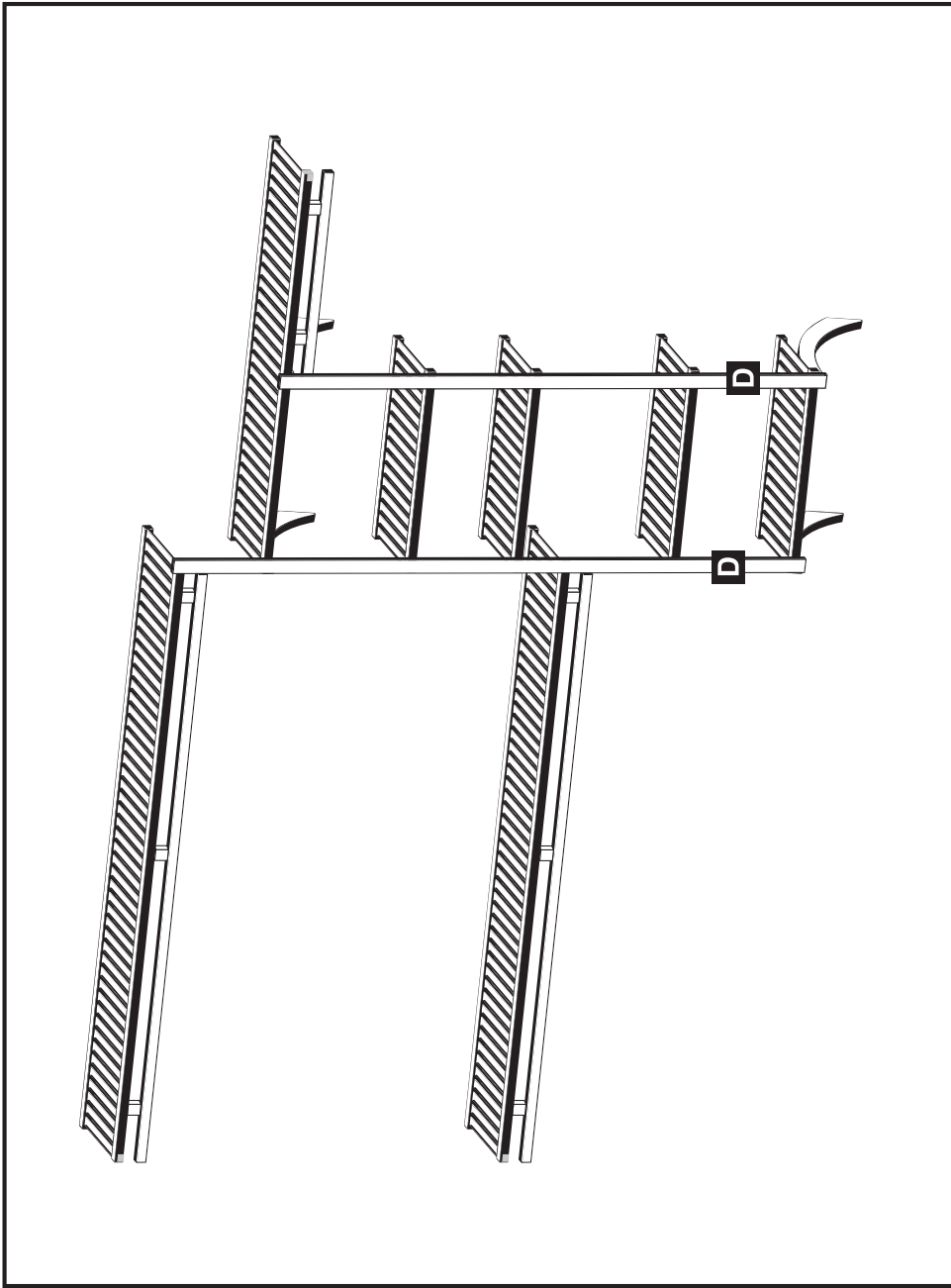


10' CONFIGURATION B    B CONFIGURACIÓN DE 3.05 M    B CONFIGURATION DE 3 M



10' CONFIGURATION C    C CONFIGURACIÓN DE 3.05 M    C CONFIGURATION DE 3 M

■ = 6" (15.2cm)



**NOTE**  
**NOTA**  
**REMARQUE**

No Pilot Hole for Vertical Clip attachment available. It is recommended to drill hole before assembly.

No se encuentra disponible orificio guía para la fijación de la grapa vertical. Se recomienda hacer una perforación antes de ensamblar.

Il n'y a pas d'avant-trou pour l'attache verticale. Il est recommandé de forer un trou avant l'assemblage.

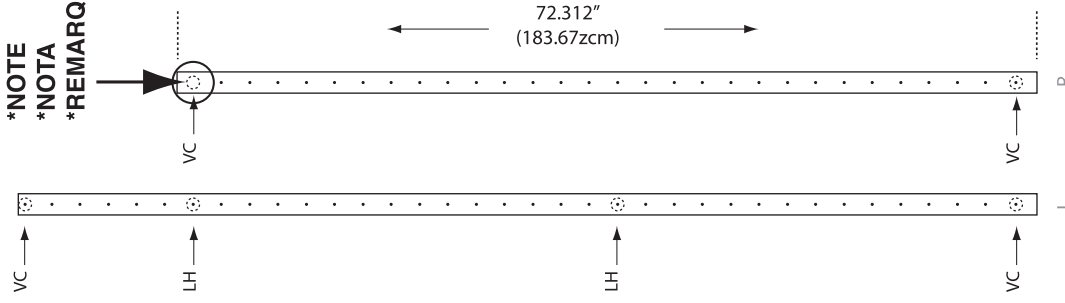
**10' CONFIGURATION C**

**C CONFIGURACIÓN DE 3.05 M**

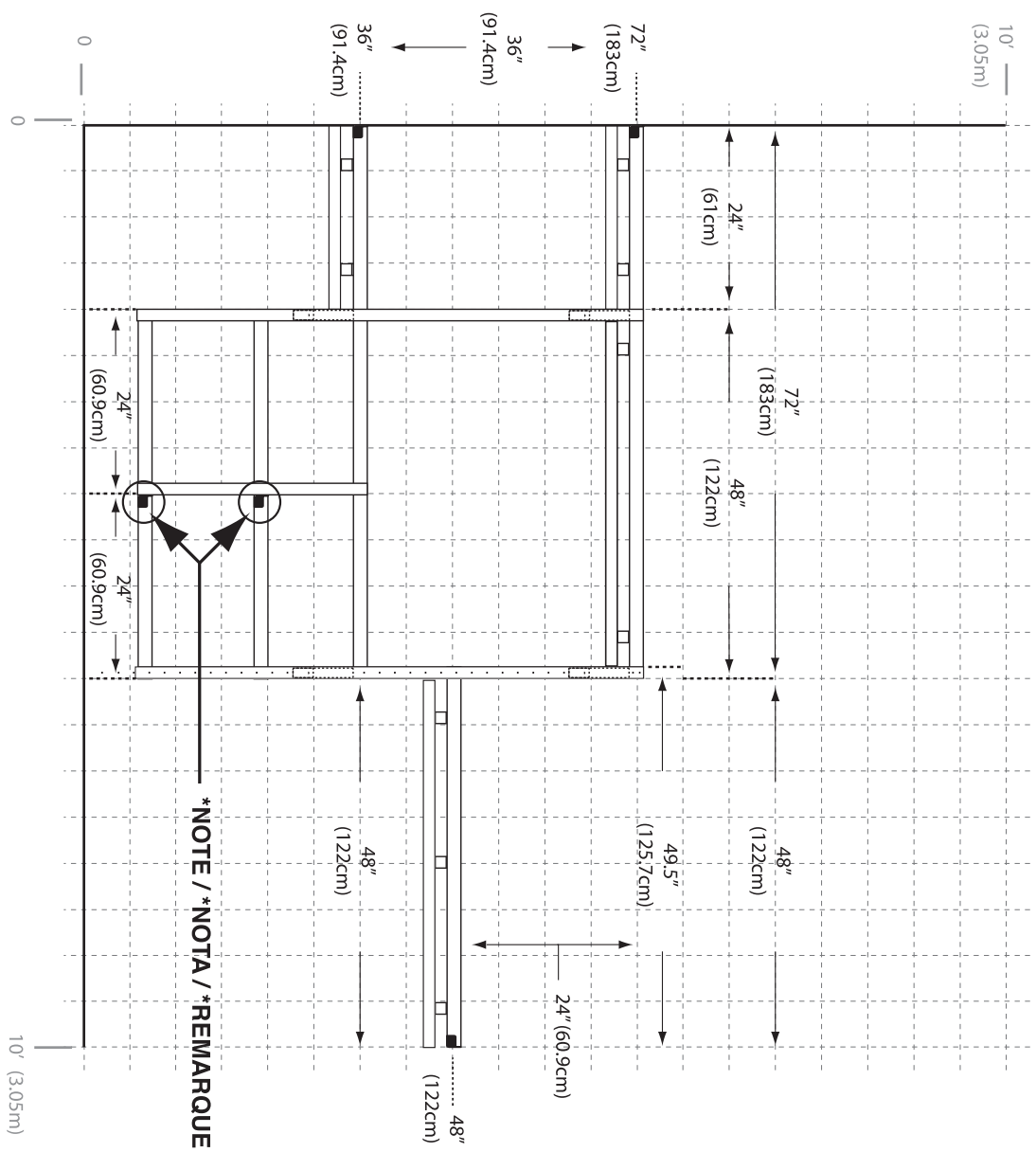
**C CONFIGURATION DE 3 M**

**D**

**\*NOTE**  
**\*NOTA**  
**\*REMARQUE**



**L** = Left / Izquierda / Gauche  
**R** = Right / Derecha / Droit  
**M** = Middle / Medio / Centre  
**VC** = Vertical Clip / Grapa Vertical/  
 Attaches Verticales  
**LH** = L-Hook / Gancho en L / Crochet en L



**\*NOTE / \*NOTA / \*REMARQUE**

**\*NOTE / \*NOTA / \*REMARQUE**

Configuration requires shelves to be connected together using Shelf End Bracket and #6 3/4" screws. It is recommended to drill the holes before assembly.

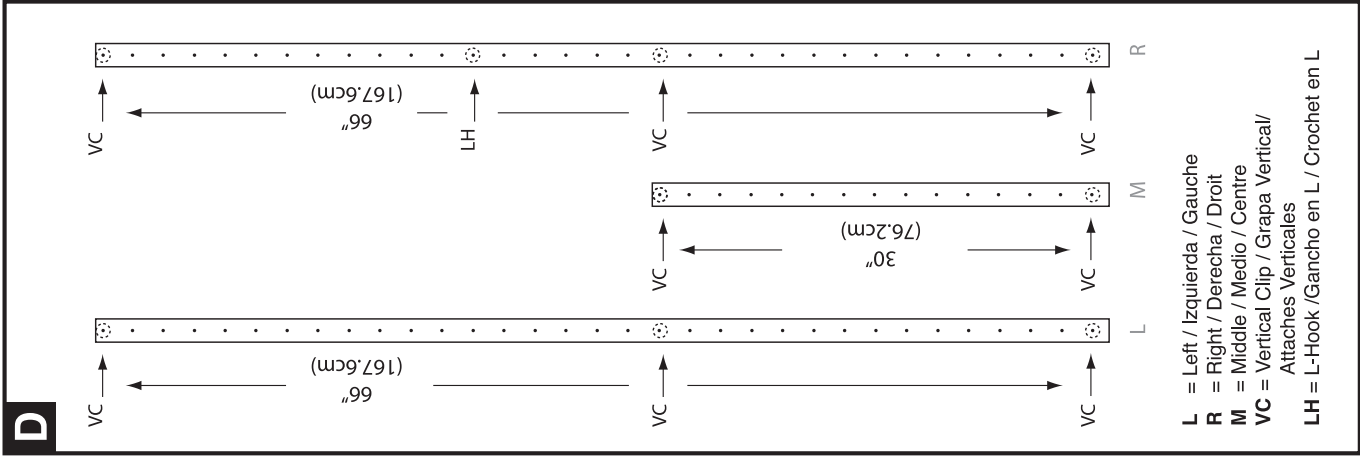
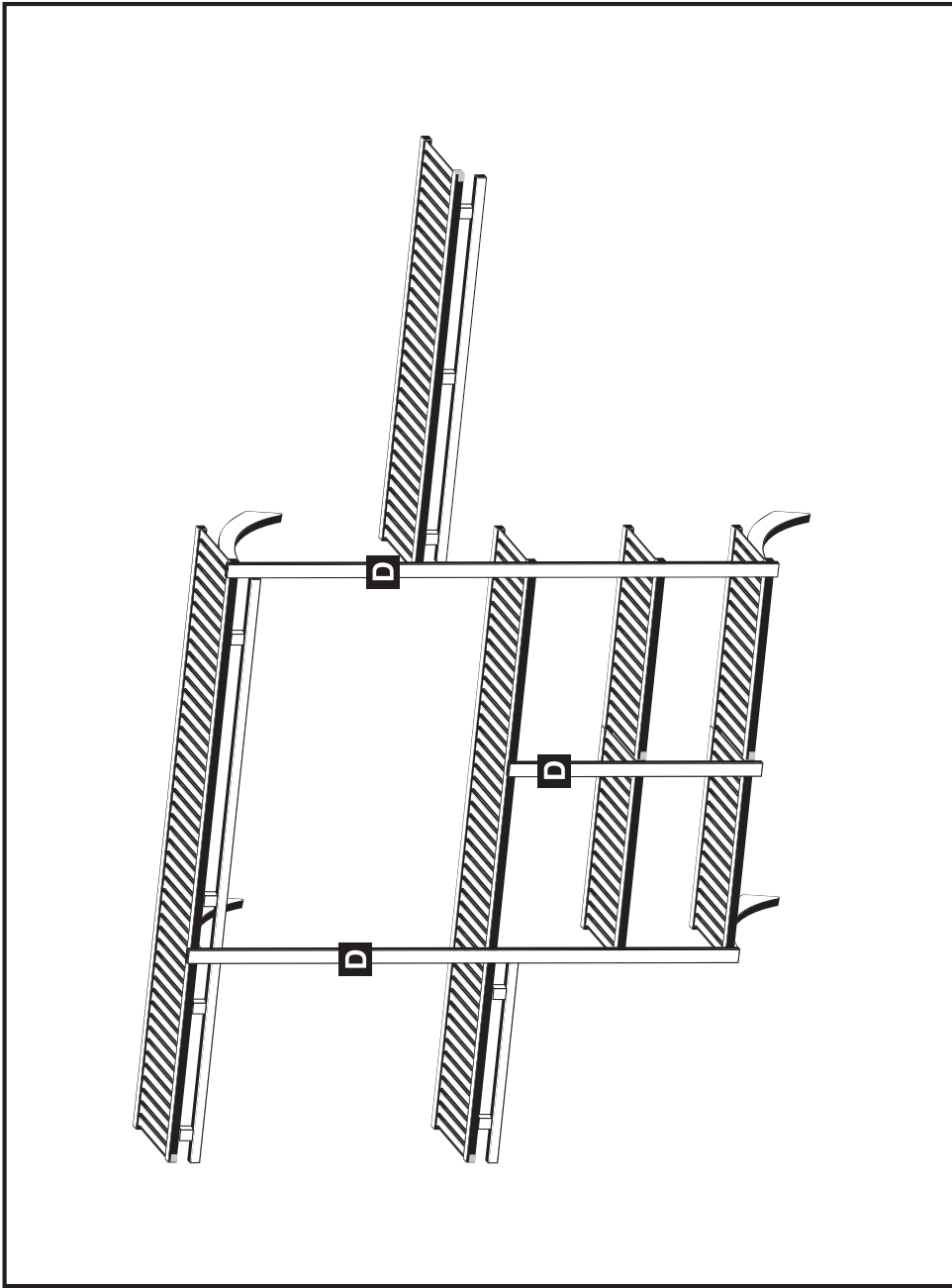
Esta configuración requiere que los estantes se conecten usando la mensula de tope de estante y tornillos N° 6 de 3/4 de pulg. Se recomienda hacer perforaciones antes de ensamblar.

La configuration exige que les tablettes soient connectées au moyen du support d'extrémité de tablette et des vis no 6 de 3/4 pouce. Il est recommandé de forer les trous avant l'assemblage.

10' CONFIGURATION D D CONFIGURACIÓN DE 3.05 M D CONFIGURATION DE 3 M

6" = 15.2cm





**10' CONFIGURATION D D CONFIGURACIÓN DE 3.05 M D CONFIGURATION DE 3 M**